



Barn and Stable Equipment

Basics on Feed Fronts for cattle	B44 - B47
Self-Locking Feed Fronts for cattle	B48 - B58
Swedish Self-Locking Feed Fronts	B59
Feeding Table Divider	B60 - B63
Diagonal Feed Fronts	B64 - B67
Self-Locking Feed Front for young cattle	B68 - B71
Horse Feed Fronts	B72 - B75
Posts, Assembly Accessories	B76 - B87



Feed Front Installation

The feed front is the main component in a free-stall barn. The basic requirement for a "functioning" feed front is that it suits the age of the animals and their type of use, and is installed at the right height.

Even the "correct" feed front can only fulfill its function if the "surroundings", that is, the floor, the feed table partition and the feed table, are appropriate. To ensure the optimum installation conditions for feed fronts, it is essential to know which feed front will be used when planning a livestock building. The mounting dimensions for the PATURA feed fronts and frequently asked questions about feed fronts are as follows:

Frequently asked questions:

Why must the feed table be higher than the floor? In the pasture, the animals do not feed on an elevated level!

In the pasture, the animals put one leg forward when feeding. That is not possible in a shed. Therefore the reach when feeding is shorter. To compensate, the feed table is elevated.

How high should the feed table partition be?

It should reach the feed front to prevent feed falling on the floor when distributing feed.

How wide should a feed table partition be?

If it is planned that posts are concreted into the partition, the wall should be approx. 5 - 10 cm wider than the posts.

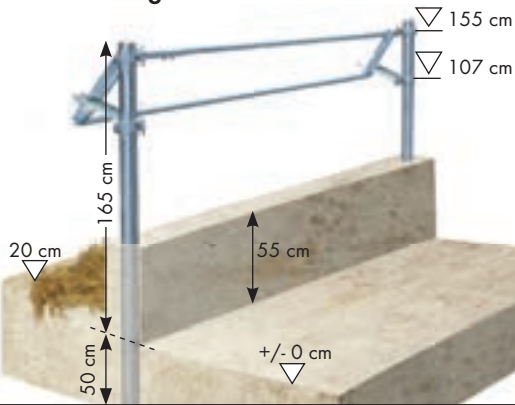
What happens if the feed front is installed too low?

Wear spots can appear in the neck. The catch mechanism of the self-locking feed fronts will not work any more.

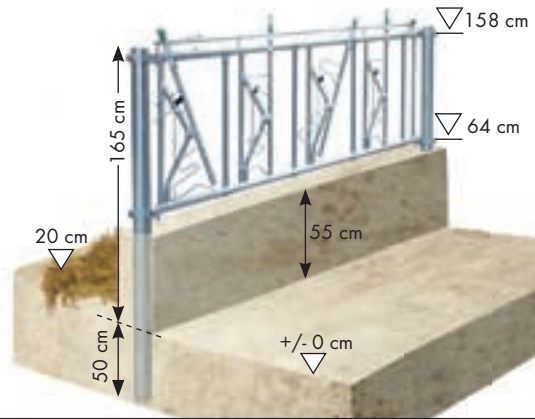
What happens if the feed front is installed too high?

Smaller animals cannot reach the feed. The animals have a difficulty threading in and out at the feed space.

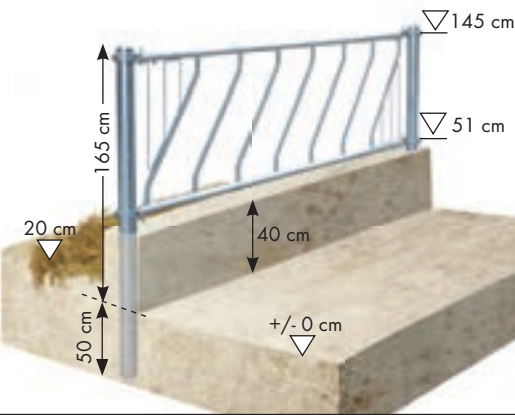
Mounting height for feed table partition 2-bar with incline mounting set



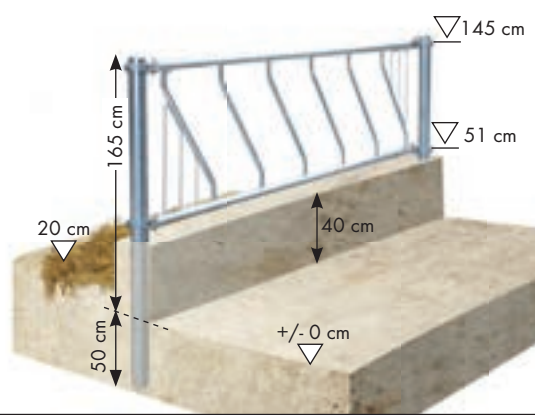
Mounting height locking yokes for dairy cows



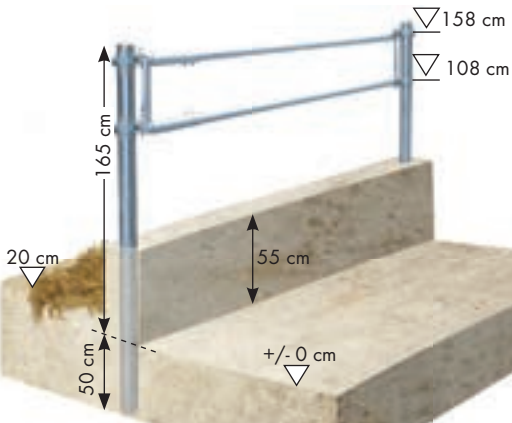
Mounting height for young stock



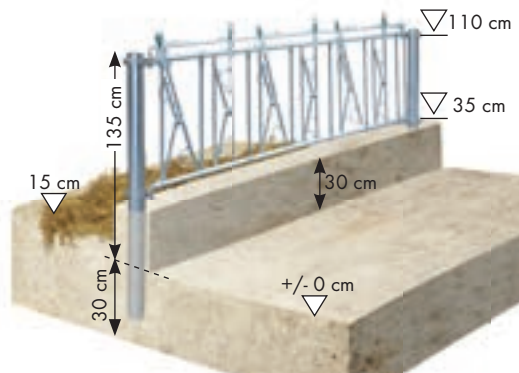
Mounting height for suckler cows with calves



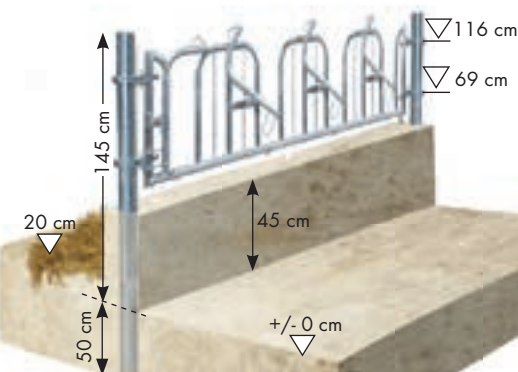
Mounting height for feed front 2-bar



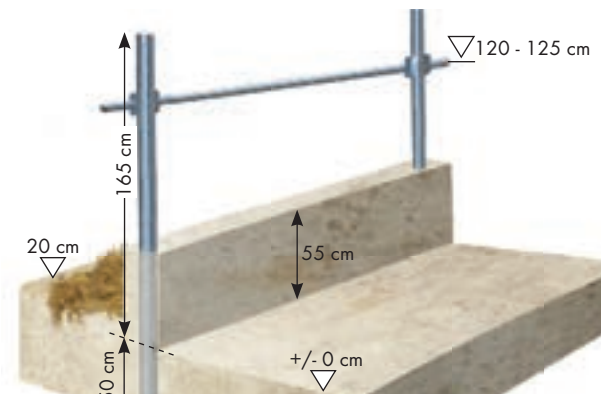
Mounting height locking yokes for calves



Mounting height for swedish self-locking feed front

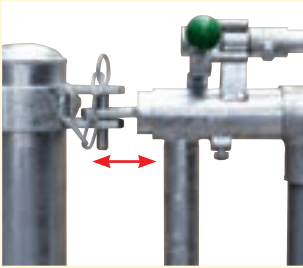


Mounting height for neck bar for dairy cows



All dimensions are non-binding guidelines

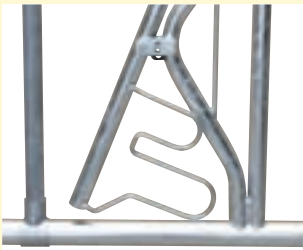
Perfection in detail



Sturdy carrying tube (60.3 mm Ø), with telescoping brackets



Especially hardened bearing for the yoke



Deflector bracket prevents collar from threading



Heavy rubber buffers for maximum noise reduction



Internal plastic buffer for resetting of yoke



PATURA Safety Self-Locking Feed Front

PATURA safety self-locking yokes ensure that animals that lay down in them or slip, can get out of the lower end of the feed front without problems. Due to the special anti-noise-execution they are triple sound insulated. Rubber buffers prevent noise development when the yoke is opened or closed. A plastic-covered metal locking bolt ensures silent locking. The turning point of the yoke has a patented strengthening of the material ensuring that it does not wear over many years of use. For the feed front frame we use only high quality Ø 60.3 mm (2") steel tubing. The intermediate bars and yokes are 42.4 mm diameter. All feed spaces are individually lockable. The feed front can also be mounted at an angle. We supply standard widths of 1 to 6 m, with feed space widths of 60 to 100 cm.



Position 1
"Open"



Position 2
"Lock-up"



Position 3
Safety position "emergency escape"



PATURA safety self-locking feed front – for highest safety in dairy farming



PATURA safety selflocking feed front – sturdy design and maximum sound isolation - ideal for suckler cow farming

Safety Self-Locking Feed Front SSV

- Type SSV = Safety Self-Locking Feed Front with Adjustable Neck Width

Optimum safety for all breeds of cattle and all types of cow sheds: emergency release via low end escape

- Quiet locking with plastic-coated locking bolt
- Adjustable neck width
- Feed space individually lockable
- Feed front panel can be swung out up to 3 m (level installation)
- Angled installation possible

Technical advantages:

- High stability due to massive tubing
- Frame 2" (60.3 mm) x 2.9 mm, filler bars and yokes 1 1/4" (42.2 mm) x 2.6 mm

- Long life-cycle due to hot-dip galvanising inside and out
- Low-wear turning link

Safety/cow comfort:

- Safe for calves and collar-wearing animals due to optimised yoke bracket geometry
- Noise reduction due to large, sturdy rubber buffers

Security advice:

- Don't leave the stable as long as in position "lock-up"



Low End Escape

3 Advantages:



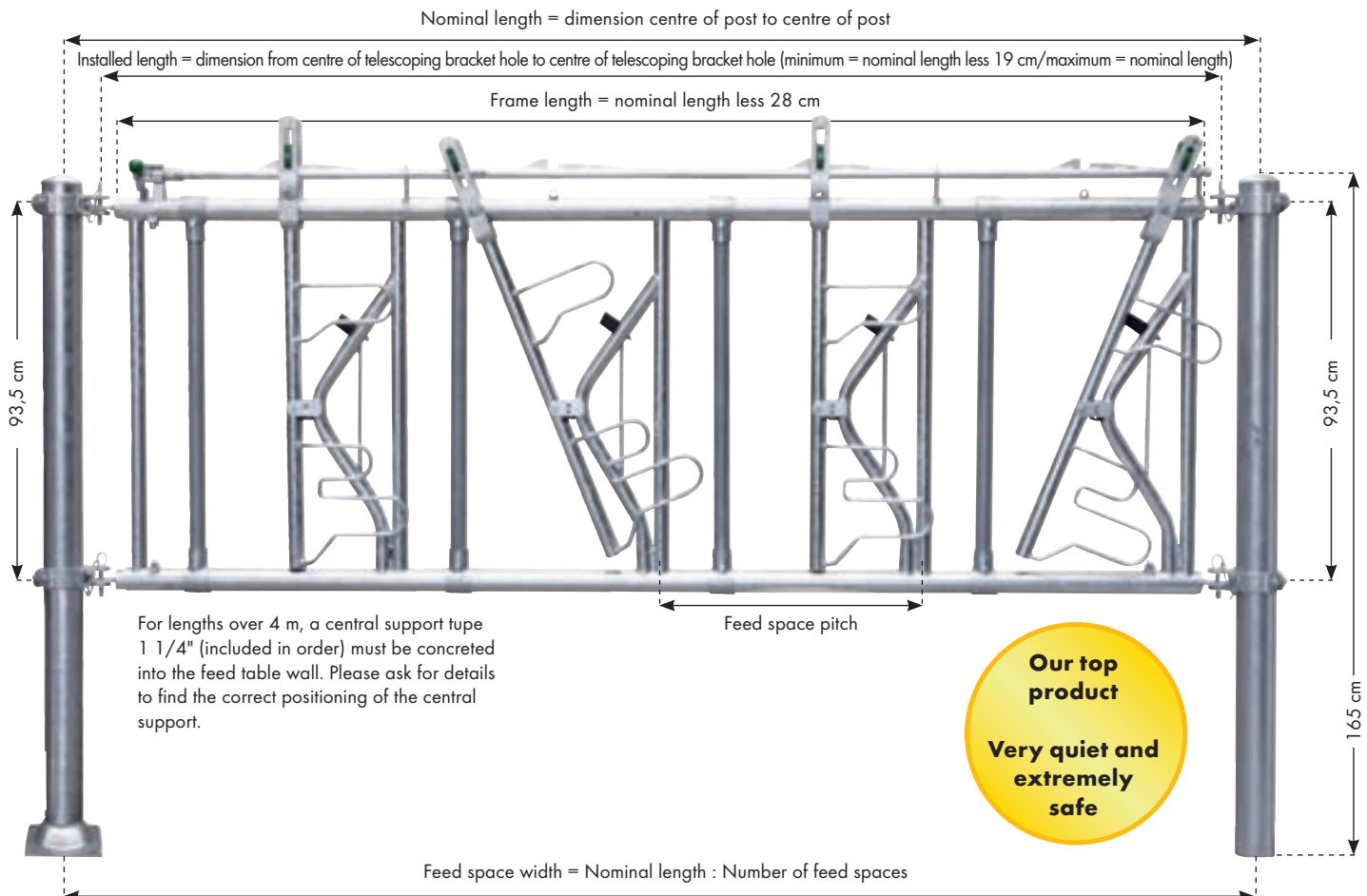
Solid plastic-coated locking bolt



Internal plastic buffer for return of yoke

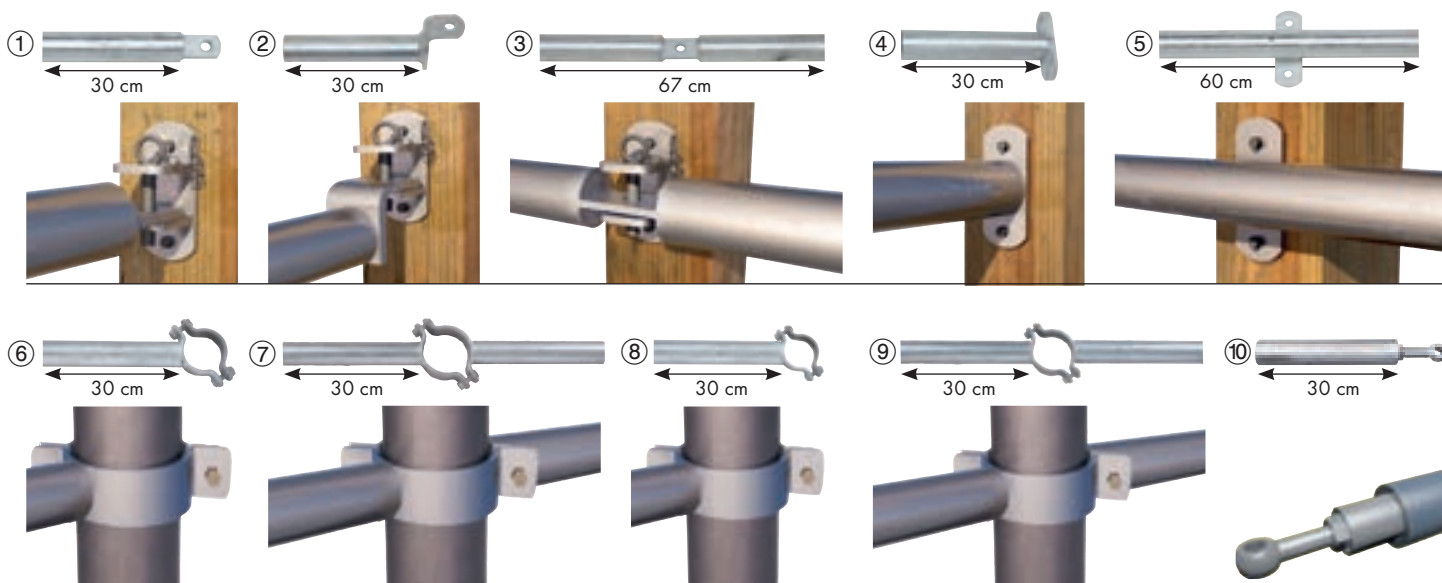


Deflector bracket prevents collar from threading



Type	Ref.	Nominal length	Feed space	Feeding place width	Feed space pitch	Weight
Safety Self-Locking Feed Front SSV						
SSV 10/6	321011	600 cm	10	60 cm	56 cm	204 kg
SSV 9/6	321010	600 cm	9	66.7 cm	63 cm	188 kg
SSV 8/6	321009	600 cm	8	75 cm	70.5 cm	184 kg
SSV 8/5.4	321013	540 cm	8	67.5 cm	63 cm	171 kg
SSV 7/5.25	321016	525 cm	7	75 cm	71 cm	158 kg
SSV 8/5	321008	500 cm	8	62.5 cm	58 cm	165 kg
SSV 7/5	321007	500 cm	7	71.4 cm	66.5 cm	154 kg
SSV 6/5	321006	500 cm	6	83.3 cm	77.4 cm	144 kg
SSV 6/4.4	321012	440 cm	6	73.3 cm	67.5 cm	125 kg
SSV 6/4	321005	400 cm	6	66.7 cm	61 cm	121 kg
SSV 5/4	321004	400 cm	5	80 cm	73 cm	112 kg
SSV 5/3.4	321003	340 cm	5	68 cm	61 cm	101 kg
SSV 4/3	321000	300 cm	4	75 cm	66.5 cm	84 kg
SSV 3/2.5	321015	250 cm	3	83 cm	75 cm	66 kg
SSV 3/2.15	321014	215 cm	3	71.6 cm	58 cm	56 kg
SSV 2/1.6	321002	160 cm	2	80 cm	63 cm	43 kg
SSV 1/1	321001	100 cm	1	100 cm	85 cm	23 kg
① Telescoping Bracket Standard	334408					1.4 kg
② Telescoping Bracket Angled	334410					1.4 kg
③ Telescoping Bracket Standard 2-Way	334409					2.3 kg
④ Telescoping Bracket Compact 1-Way (Wall mounting support tubes)	334406					1.3 kg
⑤ Telescoping Bracket Compact 2-Way	334407					2.8 kg
⑥ Telescoping Bracket Clamp 102 1-Way	334422					3.0 kg
⑦ Telescoping Bracket Clamp 102 2-Way	334423					4.0 kg
⑧ Telescoping Bracket Clamp 76 1-Way	334420					2.4 kg
⑨ Telescoping Bracket Clamp 76 2-Way	334421					3.2 kg
⑩ Telescoping Bracket with Eye Bolt	334411					2.2 kg

10 Installation Variants:



Please order telescoping brackets, posts and assembly accessories separately!

Self-Locking Feed Front SV

- Type SV = Self-Locking Feed Front with Variable Neck Width

The feed front with its special strength in the beef cattle and young stock range

Beef cattle:

- The tubing of each feed space is welded in three places (as shown on the right)
- High stability even for heavy beef cattle breeds

Young cows:

- Small feed space widths are possible for optimum space utilisation due to construction

Features:

- Quiet locking with plastic-coated locking bolt
- Adjustable neck width
- Individually lockable feed space
- Feed front panel can be swung out up to 3 m (straight installation)
- Angled installation possible

Technical advantages:

- High stability due to massive tubing
- Frame 2" (60,3 mm) x 2.9 mm, filler bars and yokes 1 1/4" (42,4 mm) x 2,6 mm
- Long life-cycle due to hot-dip galvanising inside and out
- Low-wear turning link

Safety/cow comfort:

- Safe for calves and collar-wearing animals due to optimised yoke bracket geometry
- Noise reduction due to large, sturdy rubber buffers



Security advice:
fixation of the animals only under supervision



Welded in three places

3 Advantages:



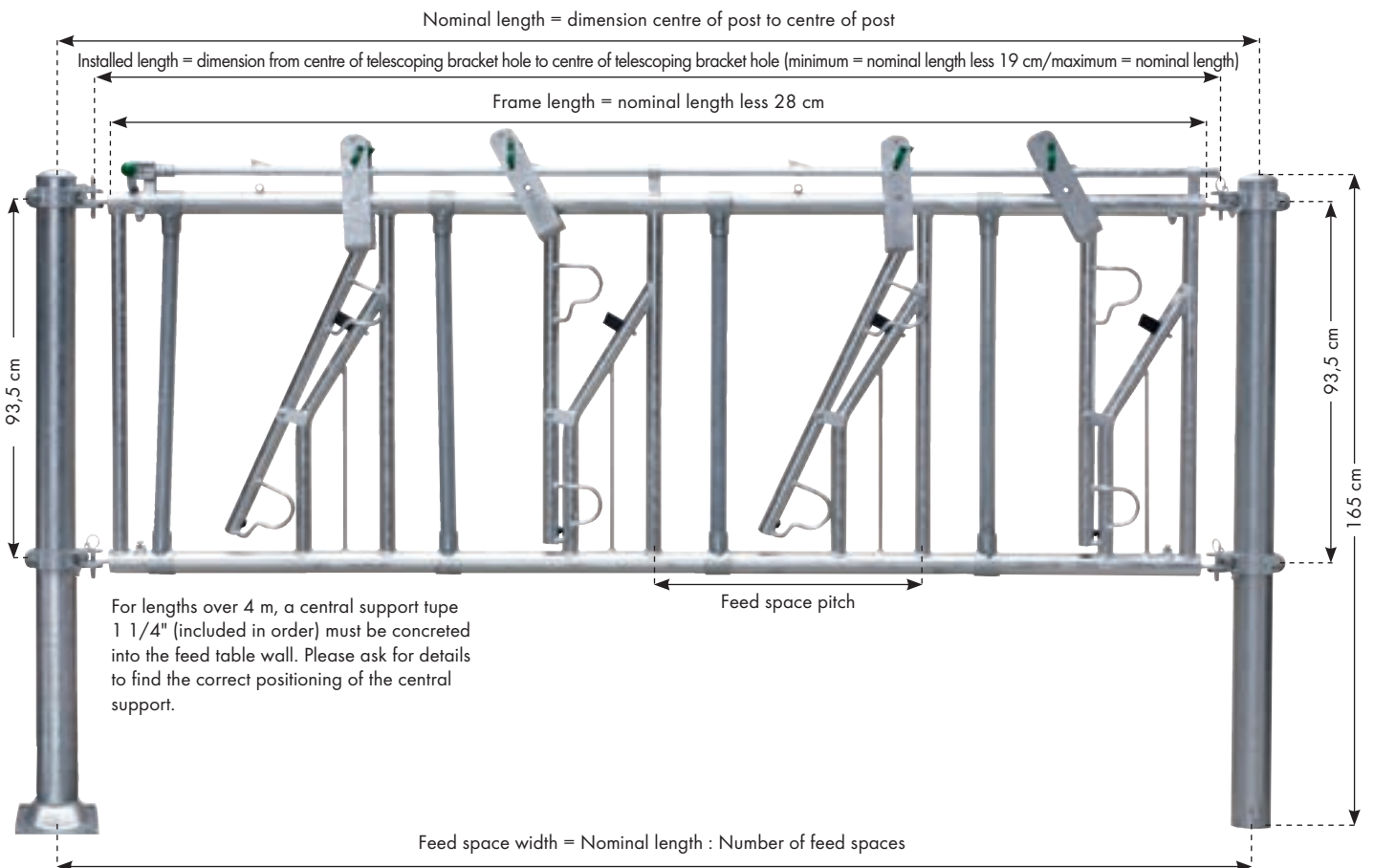
Solid plastic-coated locking bolt



Heavy rubber buffers for maximum noise reduction



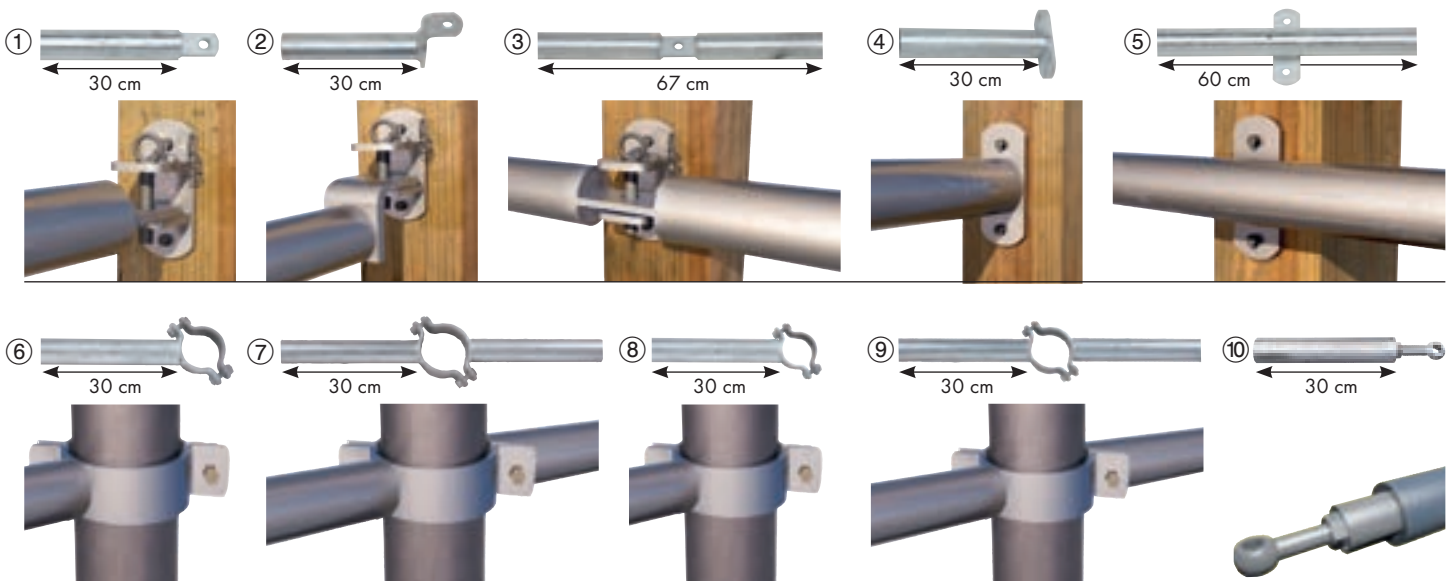
Noise reduction and deflector bracket (bottom)



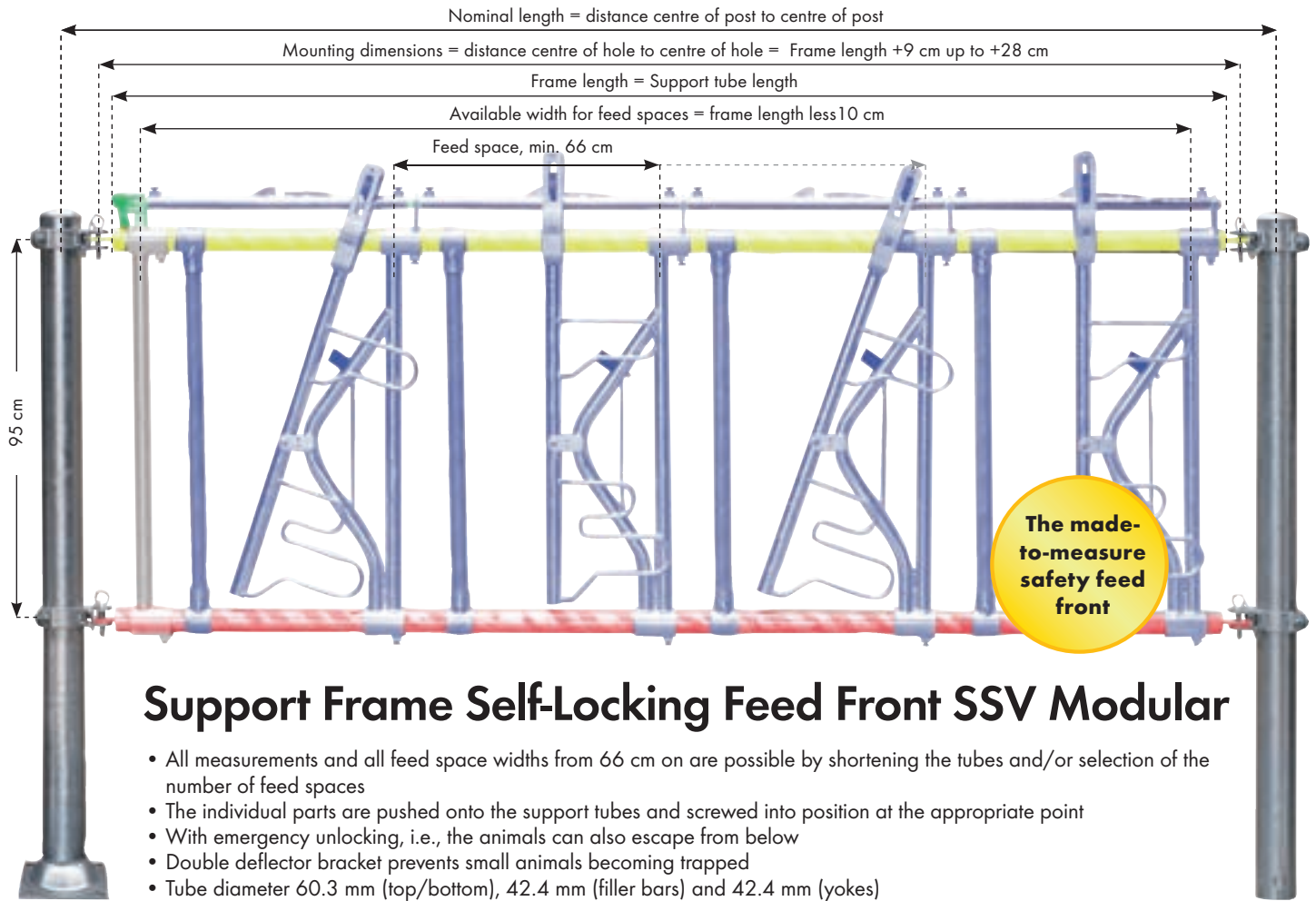
Type	Ref.	Nominal length	Feed space	Feeding place width	Feed space pitch	Weight
Self-Locking Feed Front SV						
SV 12/6J Young Stock	321035	600 cm	12	50 cm	46.5 cm	208 kg
SV 9/6	321032	600 cm	9	66.7 cm	63 cm	175 kg
SV 8/6	321030	600 cm	8	75 cm	70.5 cm	173 kg
SV 10/5J Young Stock	321033	500 cm	10	50 cm	46.5 cm	171 kg
SV 8/5	321029	500 cm	8	62.5 cm	58 cm	152 kg
SV 7/5	321027	500 cm	7	71.4 cm	66 cm	140 kg
SV 6/5	321025	500 cm	6	83.3 cm	80 cm	134 kg
SV 6/4.4	321043	440 cm	6	73 cm	67.5 cm	115 kg
SV 7/4J Young Stock	321026	400 cm	7	57 cm	52 cm	114 kg
SV 6/4	321024	400 cm	6	66.7 cm	61 cm	113 kg
SV 5/4	321023	400 cm	5	80 cm	75.5 cm	106 kg
SV 5/3.4	321042	340 cm	5	68 cm	61 cm	94 kg
SV 5/3J Young Stock	321022	300 cm	5	60 cm	53 cm	82 kg
SV 4/3	321021	300 cm	4	75 cm	66.5 cm	82 kg
SV 2/1.6	321041	160 cm	2	80 cm	62.5 cm	40 kg
SV 1/1	321020	100 cm	1	100 cm	85 cm	21 kg
Self-Locking Feed Front Bull SV 1/1.45	321040	145 cm	1	145 cm	—	31 kg
① Telescoping Bracket Standard	334408					1.4 kg
② Telescoping Bracket Angled	334410					1.4 kg
③ Telescoping Bracket Standard 2-Way	334409					2.3 kg
④ Telescoping Bracket Compact 1-Way (Wall mounting support tubes)	334406					1.3 kg
⑤ Telescoping Bracket Compact 2-Way	334407					2.8 kg
⑥ Telescoping Bracket Clamp 102 1-Way	334422					3.0 kg
⑦ Telescoping Bracket Clamp 102 2-Way	334423					4.0 kg
⑧ Telescoping Bracket Clamp 76 1-Way	334420					2.4 kg
⑨ Telescoping Bracket Clamp 76 2-Way	334421					3.2 kg
⑩ Telescoping Bracket with Eye Bolt	334411					2.2 kg

Barn and Stable
Equipment - Feed
Fronts, Accessories

10 Installation Variants:



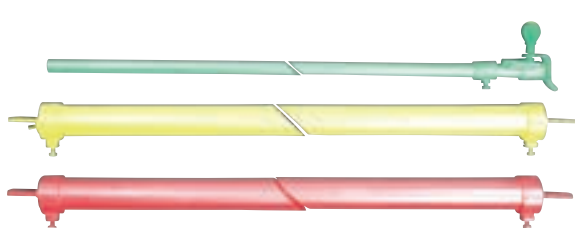
Please order telescoping brackets, posts and assembly accessories separately!



Support Frame Self-Locking Feed Front SSV Modular

- All measurements and all feed space widths from 66 cm on are possible by shortening the tubes and/or selection of the number of feed spaces
- The individual parts are pushed onto the support tubes and screwed into position at the appropriate point
- With emergency unlocking, i.e., the animals can also escape from below
- Double deflector bracket prevents small animals becoming trapped
- Tube diameter 60.3 mm (top/bottom), 42.4 mm (filler bars) and 42.4 mm (yokes)
- For lengths over 4 m a central support is supplied as standard (to be concreted into the feed table wall)
- Secure locking: very quiet due to heavily damped yokes, rubber buffers and plastic-coated locking bolts
- Special low-wear turning link, totally hot-dip galvanised
- Frame height approx. 95 cm

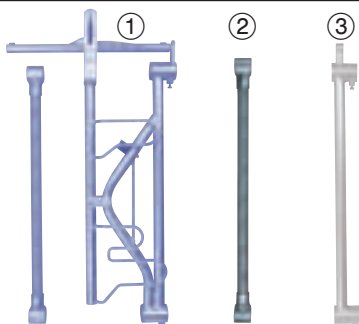
Description	Type	Ref.	Weight
-------------	------	------	--------



Support Frame Self-Locking Feed Front SSV Modular:

Support tube length 6 m	321066	65 kg
Support tube length 5 m	321065	55 kg
Support tube length 4 m	321064	45 kg
Support tube length 3 m	321063	35 kg
Support tube length 2 m	321062	25 kg
Support tube length 1 m	321061	15 kg

2 support tubes, 4 adjustable insert elements with clamp ring, 1 locking tube, 1 operating lever, 1 central support (4 m and over)

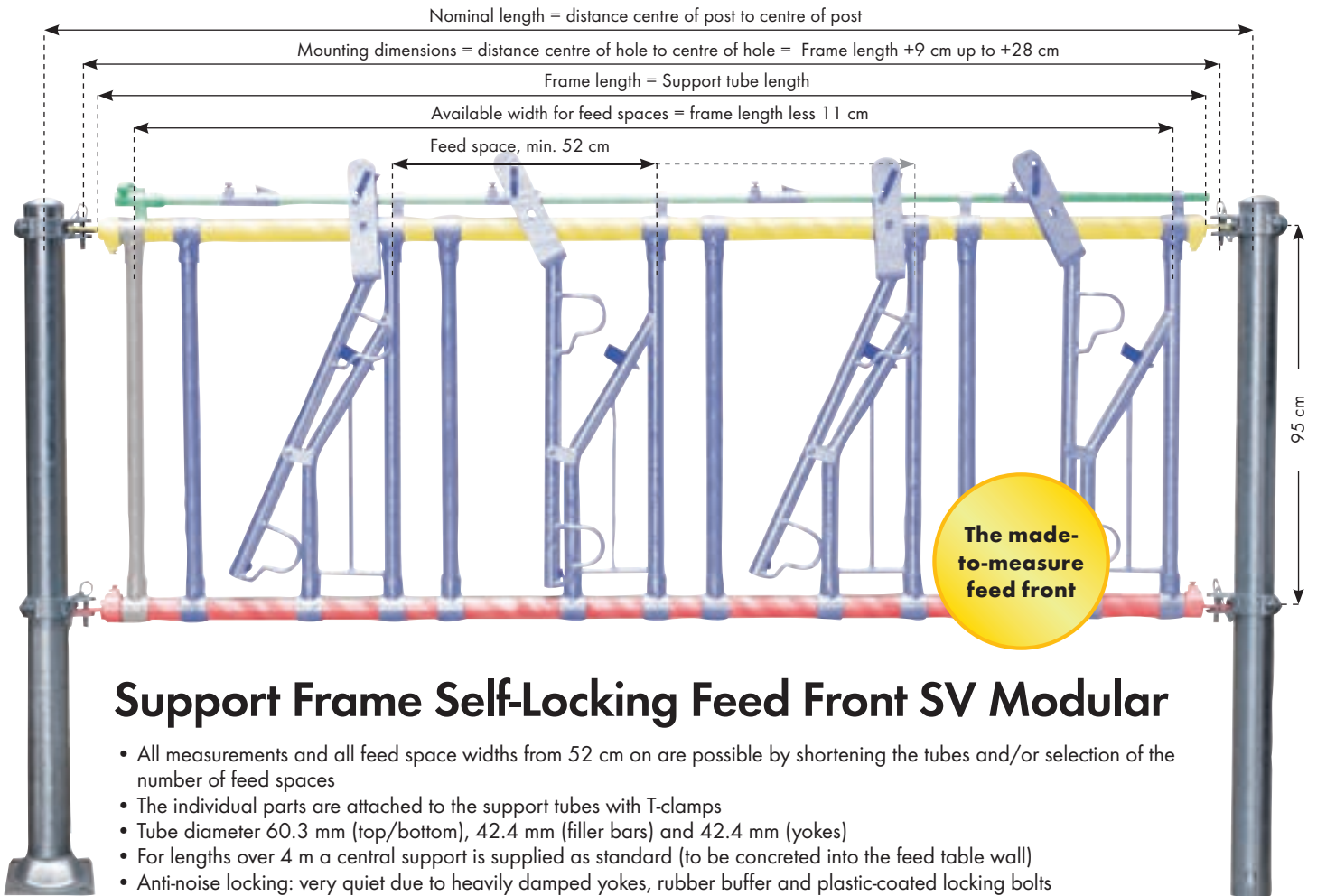


① Feed Space SSV with Yoke, Stop Buffer and Intermediate Bar with Clamps (Qty 1 per feed space)	321050	15.5 kg
Intermediate Bar with 2 T-clamps (Additional for feed spaces wider than 75 cm)	321053	2.5 kg
③ End Bar with Support Bracket For locking bar (Qty 1 per panel)	321054	3.5 kg

Accessory Bag for support tube livestock 32106401 8.5 kg
 4 adjustable inserting elements with clamp rings;
 1 operating level, 1 central support



Please order posts and assembly accessories separately



Support Frame Self-Locking Feed Front SV Modular

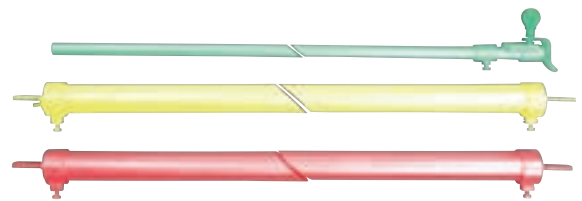
- All measurements and all feed space widths from 52 cm on are possible by shortening the tubes and/or selection of the number of feed spaces
- The individual parts are attached to the support tubes with T-clamps
- Tube diameter 60.3 mm (top/bottom), 42.4 mm (filler bars) and 42.4 mm (yokes)
- For lengths over 4 m a central support is supplied as standard (to be concreted into the feed table wall)
- Anti-noise locking: very quiet due to heavily damped yokes, rubber buffer and plastic-coated locking bolts
- Special low-wear turning link
- Totally hot-dip galvanised
- Frame height approx. 95 cm

Barn and Stable
Equipment - Feed
Fronts, Accessories

Type	Ref.	Weight	Description
------	------	--------	-------------

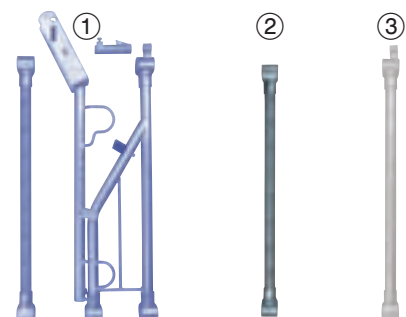
Support Frame Self-Locking Feed Front SV Modular:

Support tube length 6 m	321066	65 kg
Support tube length 5 m	321065	55 kg
Support tube length 4 m	321064	45 kg
Support tube length 3 m	321063	35 kg
Support tube length 2 m	321062	25 kg
Support tube length 1 m	321061	15 kg



2 support tubes, 4 adjustable insert elements with clamp ring, 1 locking tube, 1 operating lever, 1 central support (4 m and over)

① Feed Space SV with Yoke, Stop Buffer and Intermediate Bar with Clamps (Qty 1 per feed space)	321052	13.5 kg
② Intermediate Bar with 2 T-clamps (Additional for feed spaces wider than 75 cm)	321053	2.5 kg
③ End Bar with Support Bracket For locking bar (Qty 1 per panel)	321055	3.0 kg

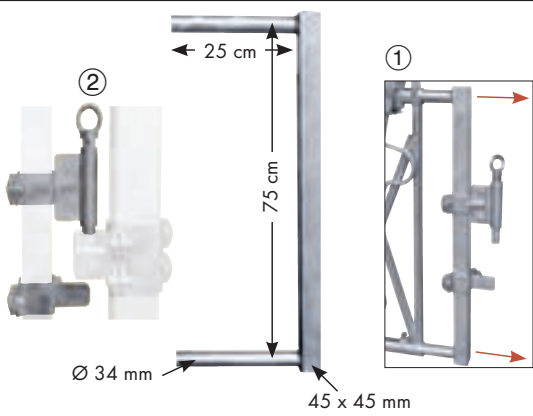
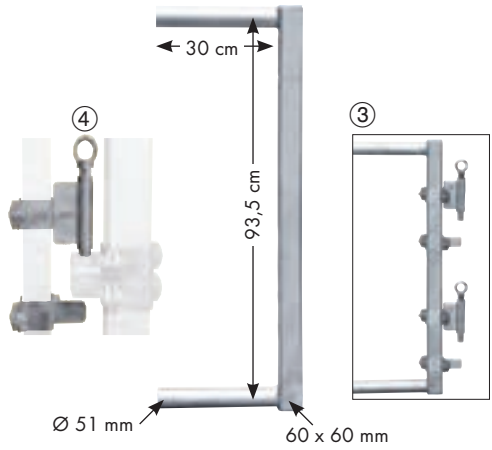
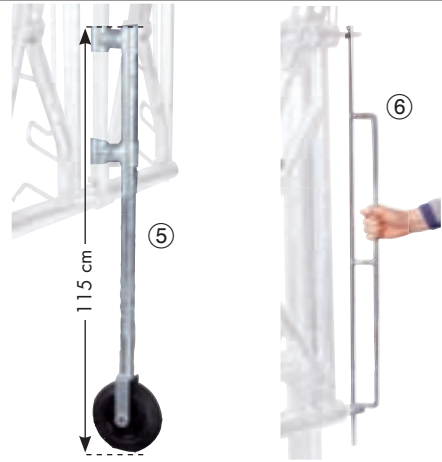



Accessory Bag for support tube livestock 32106401 8.5 kg
4 adjustable inserting elements with clamp rings;
1 operating level, 1 central support

Please order posts and assembly accessories separately



Description	Type	Ref.	Weight
	① Feed Front Extension	321503	9 kg
Extends the feed front by max. 30 cm			
	Man Escape Feed Front	321504	16 kg
Extends the feed front by min. 55 cm to 70 cm			
	Man Escape for feed front, without gate	321506	18 kg
Extends the feed front by 60 - 85 cm			
	Man Escape for feed front, with gate	321505	30 kg
Extends the feed front by 60 - 85 cm			

Type	Ref.	Weight	Description
<p>① End Bar 45 x 45 for quick-lock TS and mounting brackets</p> <p>! Allows using calf feed fronts (self-locking feed fronts, diagonal feed fronts) up to 2.5 m as gates.</p>	321507	4 kg	
<p>② Quick-Lock TS for light dividers (Incl. clamps)</p>	304107	3.6 kg	
<p>③ End Bar 60 x 60 for quick-lock TS and mounting brackets</p> <p>! Allows using self-locking feed fronts SSV and SV as well as diagonal feed fronts up to 3 m as gates</p>	321508	7 kg	
<p>④ Quick-Lock TS for dividers R (Incl. clamps)</p>	304108	3.7 kg	
<p>⑤ Support Wheel for feed front</p> <ul style="list-style-type: none"> Allows swinging of all self-locking feed fronts SSV and SV up to 3 m 	303453	5.6 kg	
<p>⑥ One Hand Latch for feed fronts</p> <ul style="list-style-type: none"> Opening and closing with one handle Areas of application: self-locking feed fronts SSV and SV, diagonal feed fronts for heavy livestock and young cattle, dividers R3, R4 and R5, light dividers 	334284	1.9 kg	
<p>Bar Wall Holder for wooden blanks for 1 1/2" tube (42.4 mm)</p> <p>Bar Wall Holder for wooden blanks for 2" tube (60.3 mm)</p>	334298 334299	1.8 kg 3.1 kg	

Barn and Stable Equipment - Feed Fronts, Accessories

Description	Type	Ref.	Weight
	<p>① Safety Screw for feed fronts and dividers (qty 10)</p>	334285	1.0 kg
	<p>② Clamp Ring d = 51 mm With set screw, for clamping 34 mm insert elements into 42 mm support tubes</p>	890001	
	<p>Clamp Ring d = 70 mm With set screw, for clamping 51 mm insert elements into 60 mm support tubes</p>	8699001	
	<p>③ Central Support with Base Plate and T-Clamp 2" x 1 1/4" For installation to feed table wall</p>	334294	1.3 kg
	<p>④ Central Support (additional) with T-Clamp 2" x 1 1/4" Ø 42 mm, over 4 m supplied as standard</p>	334293	1.5 kg
	<p>⑤ Central Support with Base Plate and Cross-Over Clamp 2" x 1 1/4"</p>	334296	3.0 kg
	<p>Spacer to incline every kind of feed front</p>	334404	
	<p>Individual Feed Space Retaining Latch</p>	334287	
	<p>Transponder Guard SSV Covers space safely between yoke carrying tube</p>	321056	



Type	Ref.	Weight	Description
① Feed Space Divider SSV for adult cattle with base plate and Cross-Over Clamp 60 x 42 mm, L x W x H: 130 x 6 x 114 cm	321044	10 kg	
② Feed Space Divider SSV for adult cattle incl. 2 T-clamps 60 x 60 mm, L x W x H: 103 x 6 x 100 cm	321047	8 kg	

- A raised step ensures calmer feeding and better feed intake
- Feed Space dividers prevent other cows from being pushed out to the side
- Prevent the animals from lying down in the area of the raised step
- A clean and dry standing area improves the hoof health
- The manure slider runs behind the cows, stress is reduced

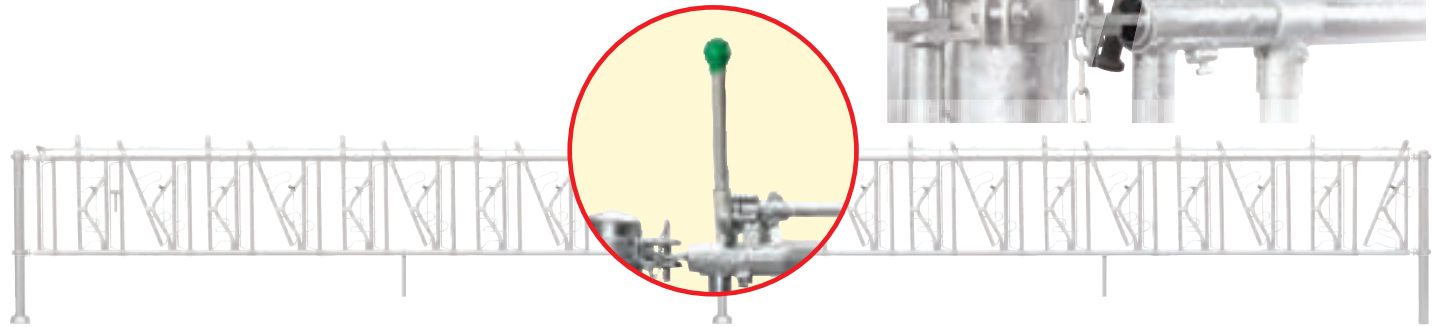
Feed Space Divider without assembly accessories with Base Plate	32104401	9.2 kg
Cross-Over Clamp, 60 mm x 42 mm 2" x 1 1/4"	341233	1.2 kg
T-Clamp, 3 screws, 60 mm x 60 mm 2" x 2"	341217	1.1 kg
T-Clamp, 3 screws, 76 mm x 60 mm 2 1/2" x 2"	341291	1.2 kg
T-Clamp, 3 Screws, 102 mm x 60 mm 3 1/2" x 2"	341360	1.8 kg
Anchor Bolt, 12 x 110 mm, stainless steel (qty 25)	341255	

Long Locking Lever, for self-locking feed front SSV and SV 334286

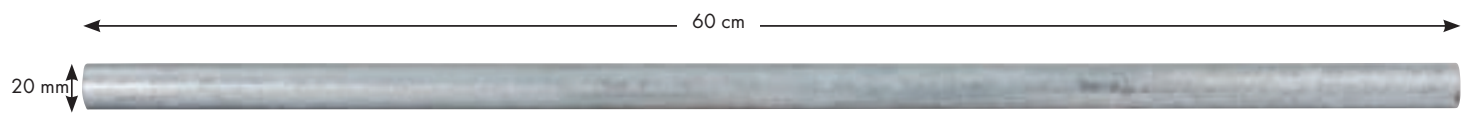
Easier handling of multiple self-locking feed fronts SSV and SV which are connected to central locking bars 334288



For a more comfort assembly mount the locking lever in the center of the connected feed fronts



Central Locking Bar To connect several feed fronts	334288	1.6 kg
--	--------	--------



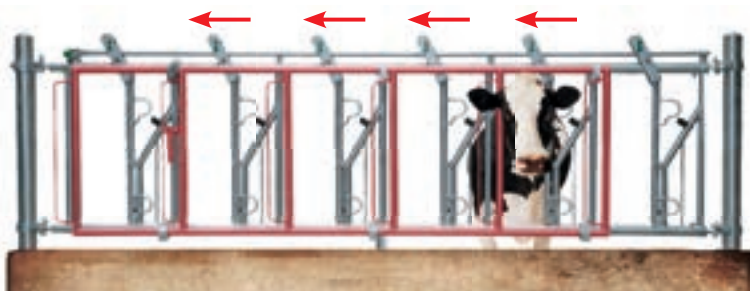
Barn and Stable Equipment - Feed Fronts, Accessories

The new flexibility for feed fronts: Frame for central collar width adjustment

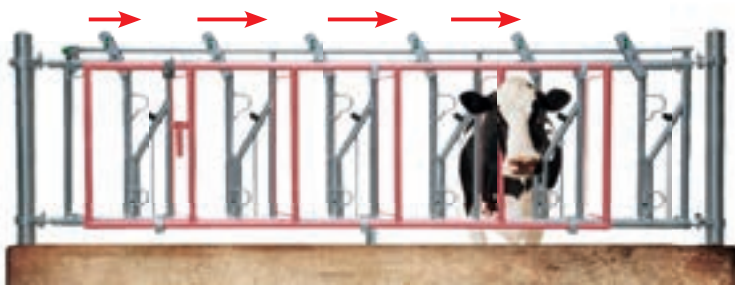
3 Advantages:



Position "Lock out": The animals have no access to the feed alley



Position "Free Access": The animals have free access to the feed alley



Position "Lock-up": As in a conventional self-locking feed front - however the neck width can be centrally adjusted per feed front



Fits with special clamps to PATURA SV and SSV self-locking feed fronts. The intermediate bars for collar width adjustment equipped as standard are no longer needed.

Functionality: The collar width needs no adjustment at every single place but can be set without any tools in one go. Fields of application:

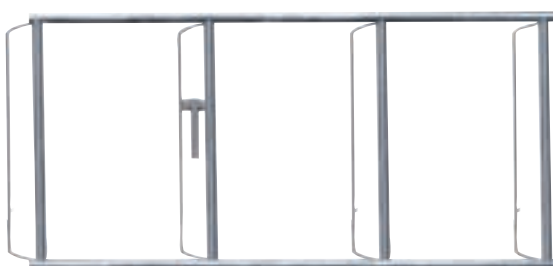
- **For beef cattle:**
 - Adjustment of the collar width according to the growth of the animals
- **For dairy cattle:**
 - If there is no need to lock the animals, the frame for the collar width adjustment can be set to maximum opening
 - The animals get easier access to the feed alley. They are more frequently at the feed front and eat more
 - The yokes are actuated less often and there is less noise in the stable
- **For all fields of application:**
 - All feeding places can be locked at the same time in one go
 - If the animals are not allowed to get access to the feed alley, e.g. during the time a feed mixer or any other machine is driving on the feed alley (position "lock-up")

Description

Type

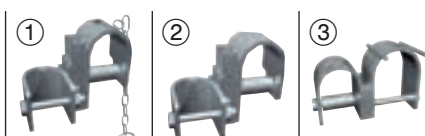
Ref.

Weight



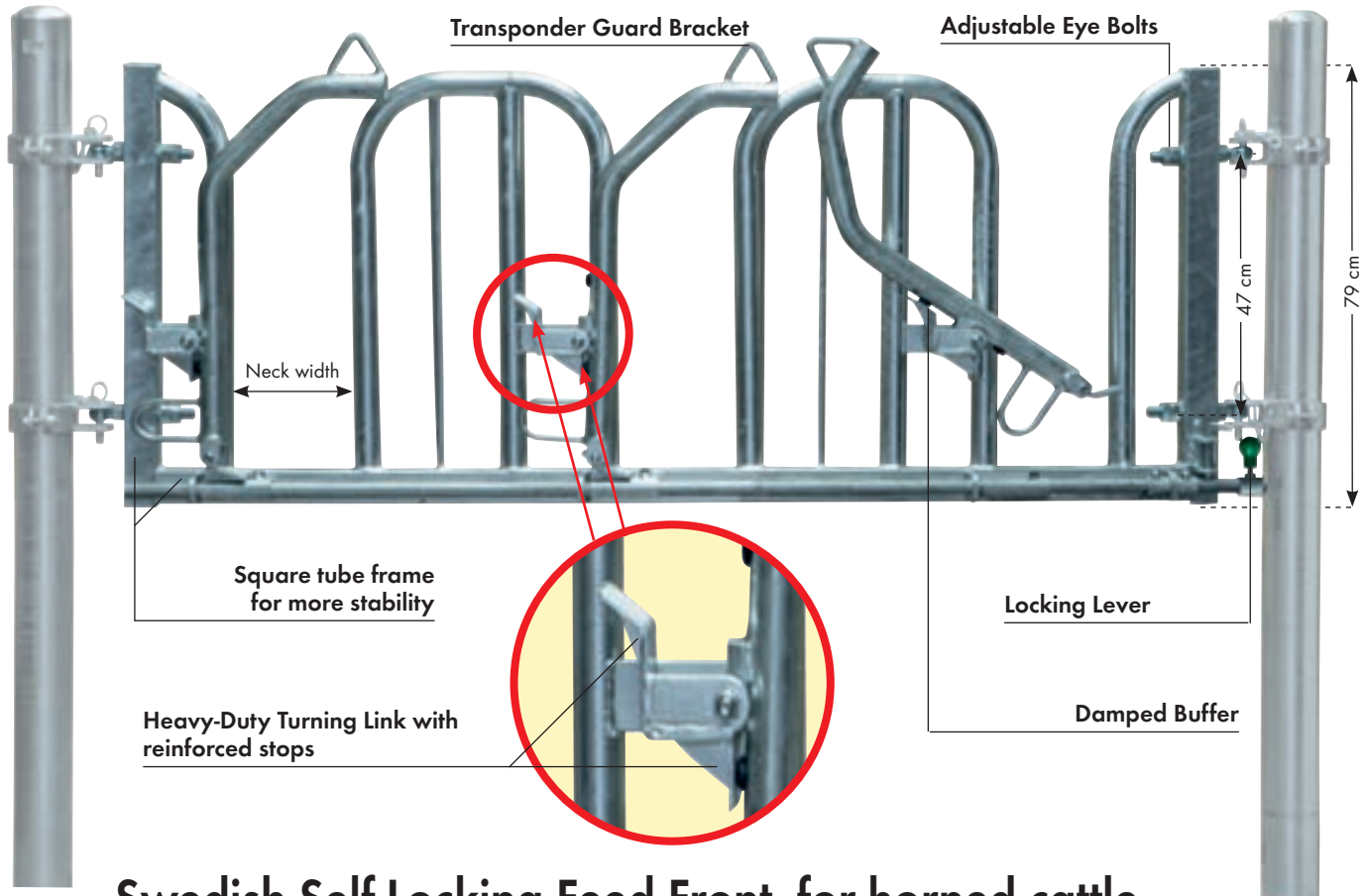
Frame for collar width adjustment for self-locking feed front 10/6	321080	61 kg
Frame for collar width adjustment for self-locking feed front 9/6	321079	58 kg
Frame for collar width adjustment for self-locking feed front 8/6	321078	54 kg
Frame for collar width adjustment for self-locking feed front 8/5	321077	50 kg
Frame for collar width adjustment for self-locking feed front 7/5	321071	46 kg
Frame for collar width adjustment for self-locking feed front 6/4	321076	38 kg

Accessories necessary for installation per frame:



Frame 10/6	1	4	5
Frame 9/6	1	4	5
Frame 8/6	1	3	4
Frame 8/5	1	3	4
Frame 7/5	1	3	4
Frame 6/4	1	2	3

- ① Upper clamp for frame for collar width adjustment with locking pin 321074 1.0 kg
- ② Upper clamp for frame for collar width adjustment 321072 1.1 kg
- ③ Lower clamp for frame for collar width adjustment with locking pin 321073 1.2 kg



Barn and Stable
Equipment - Feed
Fronts, Accessories

Swedish Self-Locking Feed Front, for horned cattle

- Optimum safety for all horned cattle breeds
- Buffer stop made of rubber
- Turning link with the established low-wear PATURA technology
- Neck width 21 cm fixed
- Feed space width 82 cm (not with 7/5 and 4/3): ideal for alternative farming (swedish feed front 2/1.7 and 3/2.5)
- Mounted with 4 adjustable M22 eyebolts
- Frame made of square tubing 60 x 60 mm, tombstone sections and yoke 48.3 mm, completely hot-dip galvanised

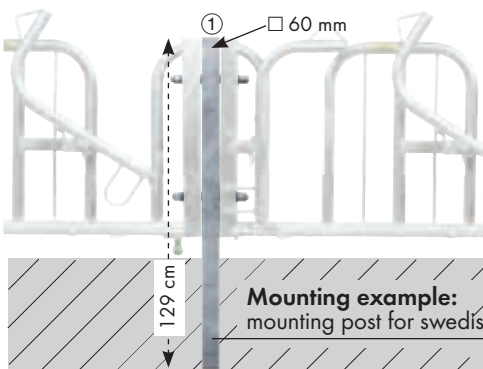


Type	Ref.	Nominal length	Feeding places	Feeding place width	Feeding place pitch	Weight
Swedish Self-Locking Feed Front 2/1.7	334246	170 cm	2	85 cm	82 cm	47 kg
Swedish Self-Locking Feed Front 3/2.5	334247	250 cm	3	83 cm	82 cm	62 kg
Swedish Self-Locking Feed Front 4/3	334249	300 cm	4	75 cm	70 cm	78 kg
Swedish Self-Locking Feed Front 7/5	334248	500 cm	7	71 cm	68 cm	127 kg

Central Locking Bar 334288 1.6 kg

① mounting post for swedish self-locking yoke 334292 9.3 kg

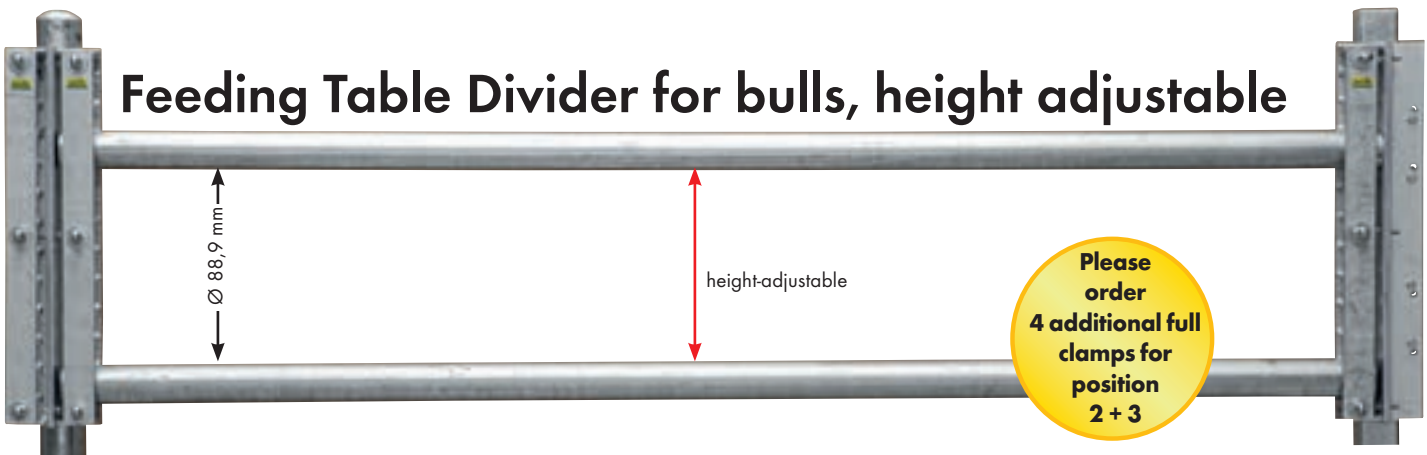
Incl. thread rod and nuts (not for swedish feed front 7/5)



Please order posts and assembly accessories separately



	2/1,7	3/2,5	4/3	7/5
Frame length:	141 cm	223 cm	269 cm	470 cm
Mounted length:	150 - 158 cm	232 - 240 cm	278 - 286 cm	479 - 487 cm
Central support:	-	-	1	2

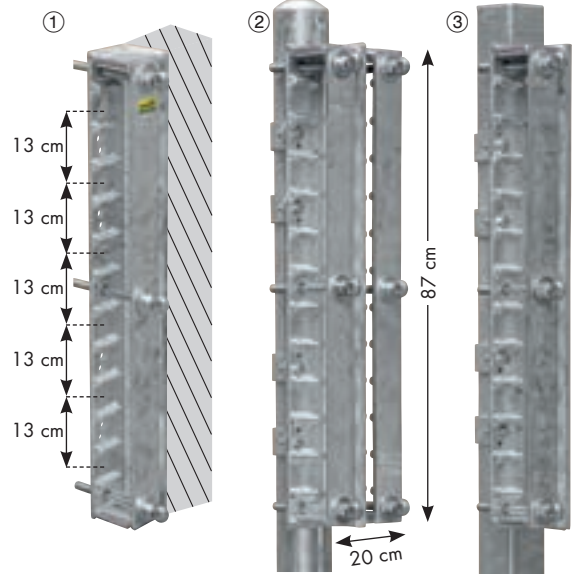


Barn and Stable
Equipment - Feed
Fronts, Accessories

The new PATURA feeding table partition for bulls offers the animals an increased level of animal comfort. Thanks to the height adjustment of the massive 88.9 mm tubes, the feeding table partition can be adapted to the size of the bull at any time. A total of six heights of the feeding table partition can be selected. For the safe adjustment of the feeding table partition, only 3 eye bolts on the post bracket have to be loosened. The full clamps 102 and 90 x 90 mm with 1 bracket can be used to assemble partitions between group pens.

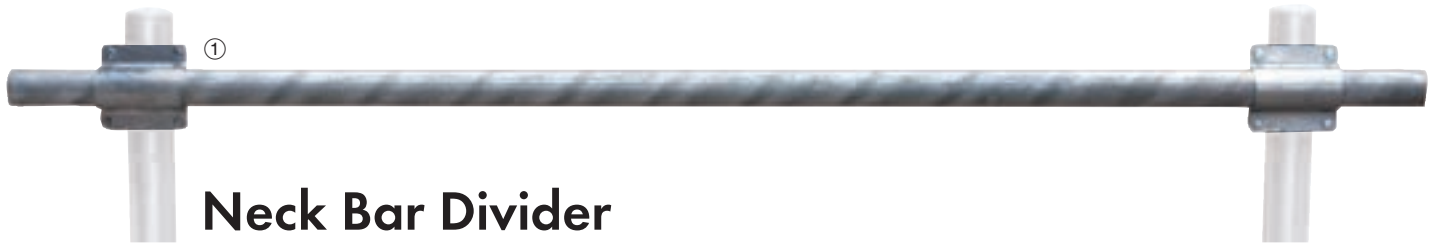
NEW

Type	Ref.	Weight	Description
① Holding Bracket, one-sided support, for wall fixation	341118	19.9 kg	
② Holding Bracket, two-sided support, for posts inc. screws for tube clamps	341106	39.6 kg	
③ Holding Bracket, one-sided support, for posts inc. screws for tube clamps	341119	31.1 kg	
Tubing Ø 88,9 x 4 mm, l = 2 m	341142	17 kg	
Tubing Ø 88,9 x 4 mm, l = 3 m	341143	25 kg	
Tubing Ø 88,9 x 4 mm, l = 4 m	341144	34 kg	
Tubing Ø 88,9 x 4 mm, l = 6 m	341283	51 kg	
Saddle Clamp 102 mm	341204		
④ Saddle Clamp 102 mm, 1 fastener	34120402	1.3 kg	
Saddle Clamp 90 x 90 mm	323919		
⑤ Saddle Clamp 90 x 90 mm, 1 fastener	32391901	1,4 kg	
Tube Joint for tubing Ø 89 mm	334605	2.2 kg	
3", l = 34 cm, external Ø 80 mm			



Please order posts
and assembly
accessories
separately





Neck Bar Divider

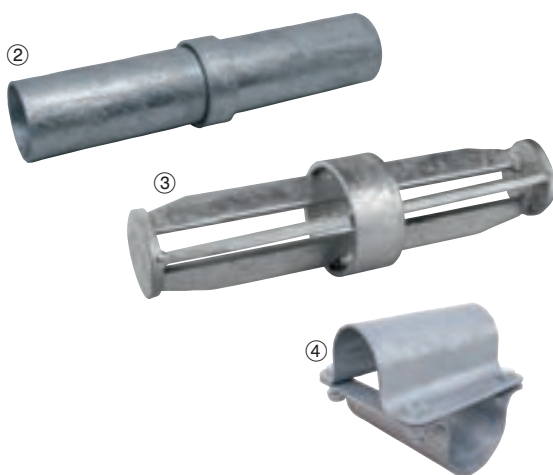
- Cost effective feeding table divider
- Post spacing:
tubing 48.3 mm and 60.3 mm: max 2.5 - 3.0 m
tubing 88.9 mm: max. 6 m
- Height of the neck bar: 1.15 (up to 6 months), 1.30 m (6 - 18 months), 1.50 m (from 18 months)
- Depending on age the user should supply a feeding table wall at a height of 40 - 55 cm

Description

Type

Ref.

Weight



① Tubing Ø 48.3 x 3.2 mm 6 m Tube	341284	18 kg
Tubing Ø 60.3 x 3.6 mm 6 m Tube	341285	33 kg
Tubing Ø 88,9 x 4 mm 6 m Tube	341283	51 kg



② Tube Joint for tubing Ø 48 mm 1 ½", l = 26 cm, external Ø 40 mm	341279	
② Tube Joint for tubing Ø 60 mm 2", l = 26 cm, external Ø 52 mm	341278	
③ Tube Joint for tubing Ø 89 mm 3", l = 34 cm, external Ø 80 mm	334605	2.2 kg

④ Rigid 4-Bolt Cross Joint, 76 mm x 48 mm 2 ½" x 1 ½"	341223	
Rigid 4-Bolt Cross Joint, 76 mm x 60 mm 2 ½" x 2"	341224	

⑤ Wall Bracket for tubing Ø 48.3 mm (1 ½")	341091	1.0 kg
Wall Bracket for tubing Ø 60.3 mm (2")	334406	1.3 kg
Wall Bracket for tubing Ø 88.9 mm (3")	334604	2.4 kg



Please order posts and assembly accessories separately

Type	Ref.	Weight	Description
Spacer Tube for neck bar	341095	2.9 kg	
① Spacer Tube for neck bar	341096	5.2 kg	
For mounting post 102			
Incl. assembly accessory 1			
Spacer Tube for neck bar	341098	4.4 kg	
For mounting post 90 x 90			
Incl. assembly accessory 2			
Spacer Tube for neck bar	341097	5.2 kg	
For mounting post 76			
Incl. assembly accessory 3			

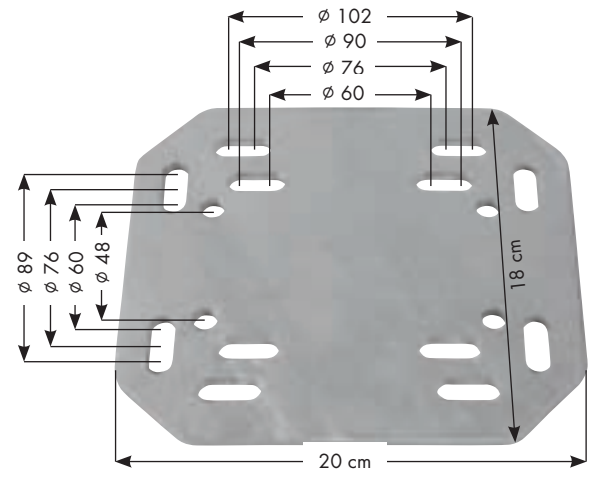
Assembly accessories for spacer tube for neck bar (ref. 341096 - 98):

1. Rigid 4-Bolt Cross Joint, 60 mm x 60 mm + 2x U-Bolt 102 mm
2. Rigid 4-Bolt Cross Joint, 60 mm x 60 mm + 2x U-Bolt 90 x 90 mm
3. Rigid 4-Bolt Cross Joint, 60 mm x 60 mm + 2x U-Bolt 76 mm

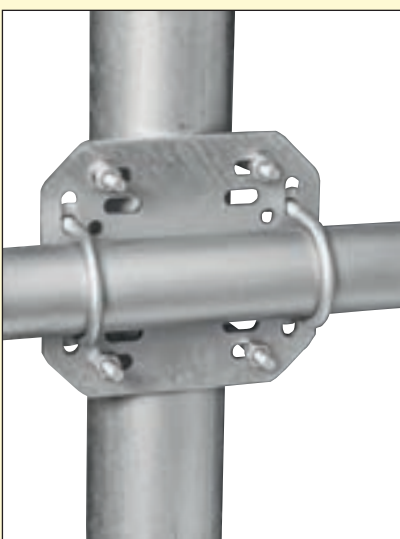
Adapter Plate Universal 341114 1.6 kg
 for post tube connections
 Material thickness 6 mm

For secure connection of tubes with posts with various diameters. Can be used with U-bolts reference: 341015, 341242, 341246, 341014 und 341247.

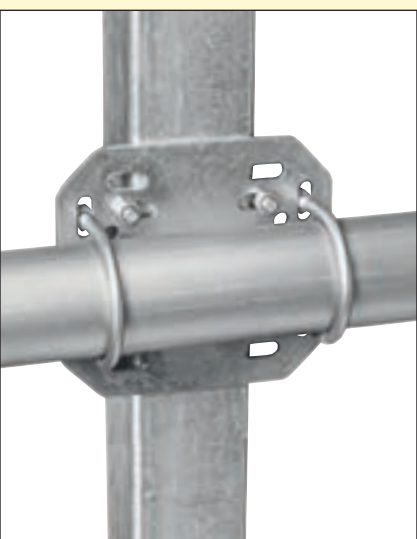
U-Bolt 90 x 90 mm M10	341015
U-Bolt 60 mm 2" - M10 with bar	341242
U-Bolt 76 mm 2 1/2" - M10	341246
U-Bolt 89 mm 3" - M10	341014
U-Bolt 102 mm 3 1/2" - M10	341247



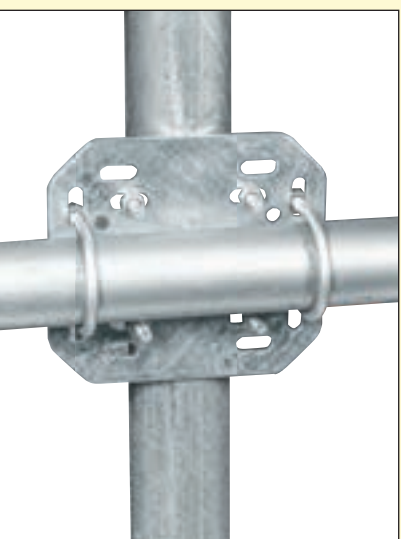
Barn and Stable
 Equipment - Feed
 Fronts, Accessories



Installation example to post 102 mm



Installation example to post 90 x 90 mm



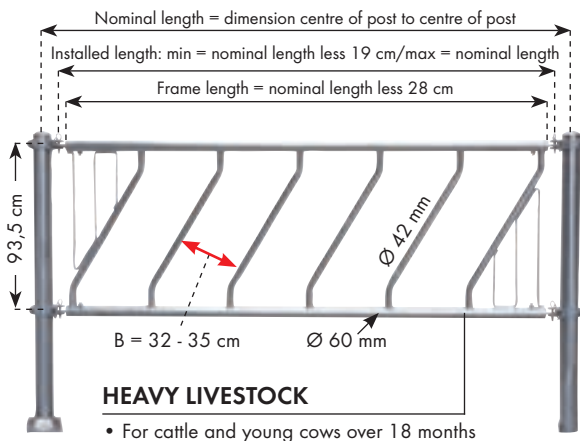
Installation Example to post 76 mm

Description

Type

Ref.

Weight

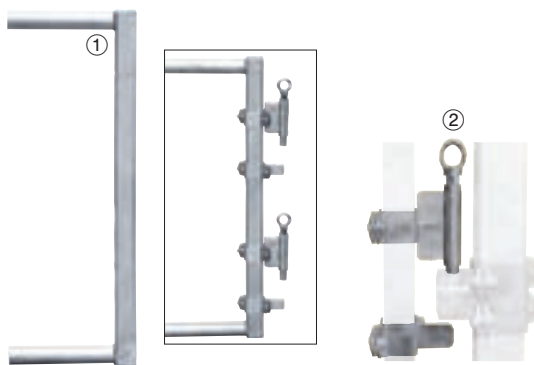


Diagonal Feed Front 6 m 12 feed spaces with central support	334043	84 kg
Diagonal Feed Front 5 m 10 feed spaces with central support	334042	74 kg
Diagonal Feed Front 4 m 8 feed spaces with central support	334041	55 kg
Diagonal Feed Front 3 m 5 feed spaces	334040	42 kg

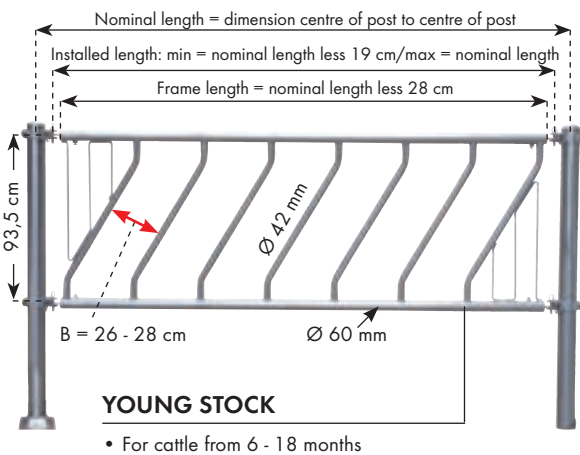
① **End Bar 60 x 60 for quick-lock TS and mounting brackets** **321508** 7 kg



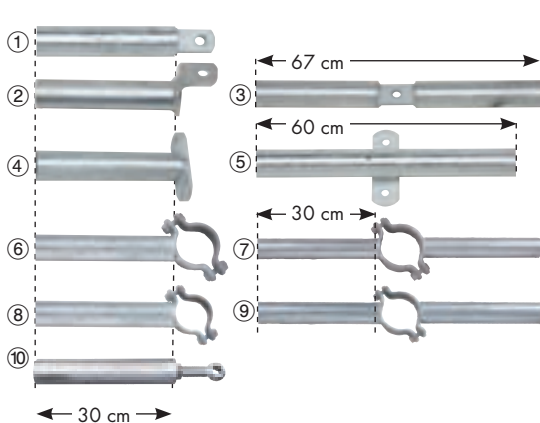
Allows using self-locking feed fronts SSV and SV as well as diagonal feed fronts up to 3 m as gates



② **Quick-Lock TS for dividers R (Incl. clamps)** **304108** 3.7 kg



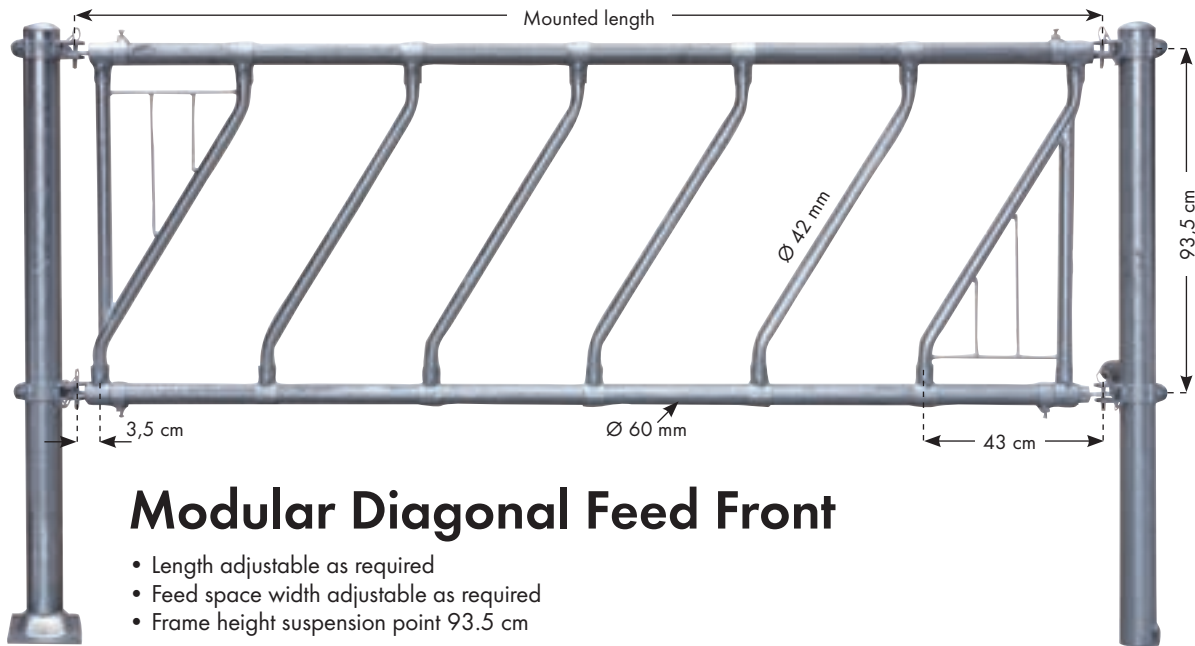
Diagonal Feed Front Young Cattle 6 m 15 feed spaces with central support	334156	94 kg
Diagonal Feed Front Young Cattle 5 m 12 feed spaces with central support	334125	76 kg
Diagonal Feed Front Young Cattle 4 m 9 feed spaces with central support	334094	57 kg
Diagonal Feed Front Young Cattle 3 m 6 feed spaces	334063	41 kg



① Telescoping Bracket Standard	334408	1.4 kg
② Telescoping Bracket Angled	334410	1.4 kg
③ Telescoping Bracket Standard 2-Way	334409	2.3 kg
④ Telescoping Bracket Compact 1-Way (Wall mounting support tubes)	334406	1.3 kg
⑤ Telescoping Bracket Compact 2-Way	334407	2.8 kg
⑥ Telescoping Bracket Clamp 102 1-Way	334422	3.0 kg
⑦ Telescoping Bracket Clamp 102 2-Way	334423	4.0 kg
⑧ Telescoping Bracket Clamp 76 1-Way	334420	2.4 kg
⑨ Telescoping Bracket Clamp 76 2-Way	334421	3.2 kg
⑩ Telescoping Bracket with Eye Bolt	334411	2.2 kg



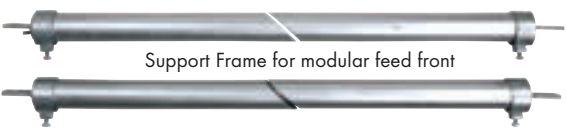
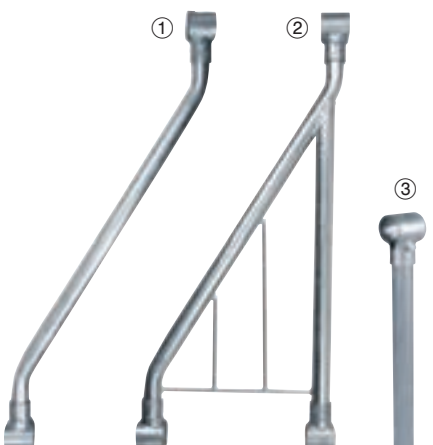
Please order telescoping brackets, posts and assembly accessories separately!



Modular Diagonal Feed Front

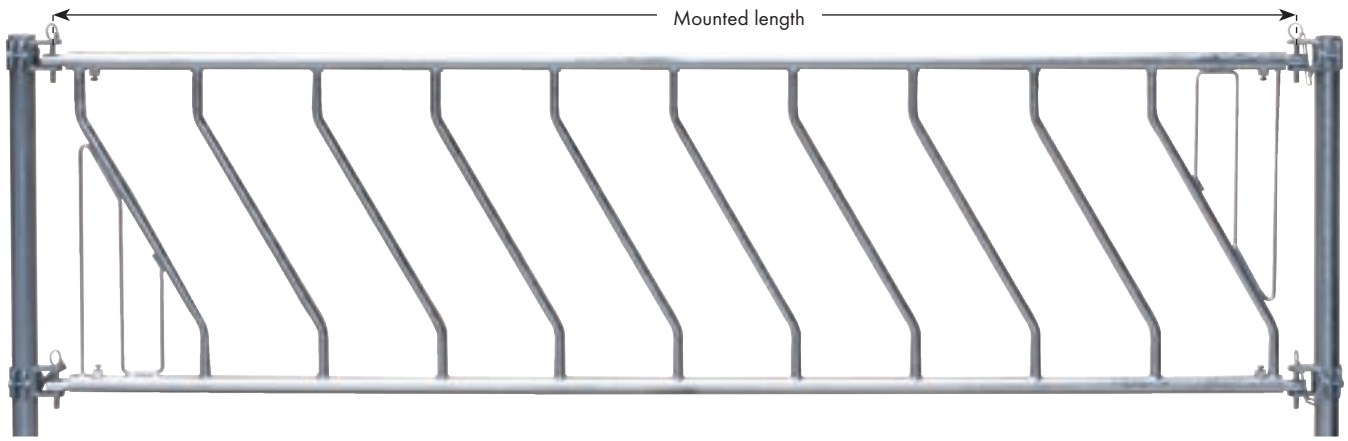
- Length adjustable as required
- Feed space width adjustable as required
- Frame height suspension point 93.5 cm

Barn and Stable
Equipment - Feed
Fronts, Accessories

Type	Ref.	Weight	Description
Support Frame for modular feed front 6 m (without filler bars) 2 support tubes 60.3 mm diam., 4 telescoping brackets, with central support	321514	51 kg	 <p>Support Frame for modular feed front</p> <p>! Order information: Please order 1 support frame in appropriate length, including 2 start or end elements and the desired quantity of angled uprights!</p>
Support Frame for modular feed front 5 m (without filler bars) 2 support tubes 60.3 mm diam., 4 telescoping brackets, with central support	321513	43 kg	
Support Frame for modular feed front 4 m (without filler bars) 2 support tubes 60.3 mm diam., 4 telescoping brackets, with central support	321512	35 kg	
Support Frame for modular feed front 3 m (without filler bars) 2 Support tubes Ø 60.3 mm diam., 4 telescoping brackets	321511	27 kg	
Support Frame for modular feed front 2 m (without filler bars) 2 support tubes 60.3 mm diam., 4 telescoping brackets	321510	19 kg	
Angled Upright for diagonal feed front With 2 T-clamps	334008	3.5 kg	
Start or End Element For diagonal feed front with 3 T-clamps	334007	7 kg	
Central Support (additional) with T-Clamp	334293	1.5 kg	

Please order posts and assembly accessories separately





Calf Diagonal Feed Front

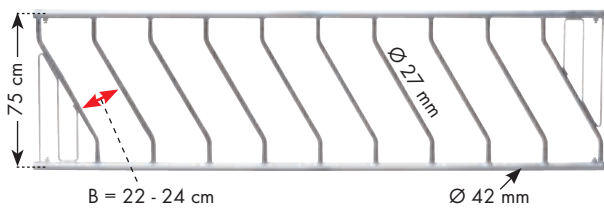
- For calves
- Over 4 m incl. central support
- Installation to posts and bolt-on brackets
- For calves up to 6 months

Description

Type

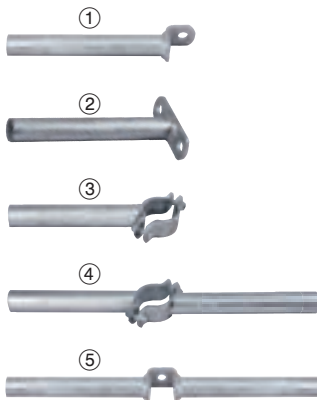
Ref.

Weight

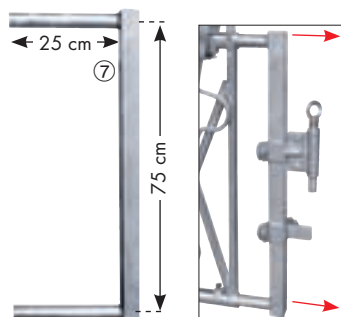
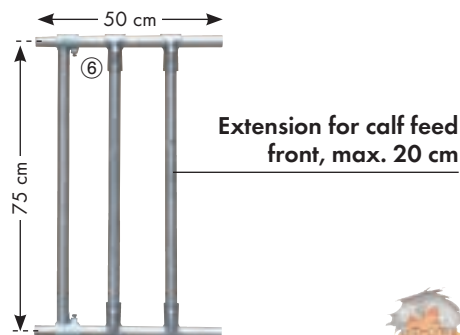


Calf Diagonal Feed Front 5/2 5 feed spaces/2.00 m	334051	19 kg
Calf Diagonal Feed Front 7/2.5 7 feed spaces/2.50 m	334052	23 kg
Calf Diagonal Feed Front 9/3 9 feed spaces/3.00 m	334053	28 kg
Calf Diagonal Feed Front 12/4 12 feed spaces/4.00 m	334054	40 kg
Calf Diagonal Feed Front 16/5 16 feed spaces/5.00 m	334055	54 kg

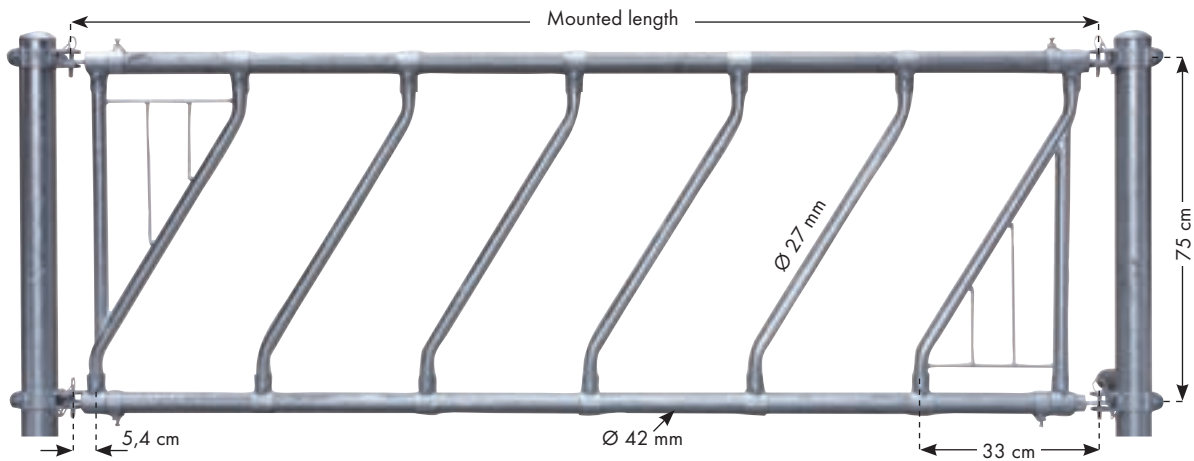
	5/2	7/2,5	9/3	12/4	16/5
Frame length:	183 cm	236 cm	281 cm	381 cm	481 cm
Mounted length:	193 - 213 cm	246 - 266 cm	291 - 311 cm	391 - 411 cm	491 - 511 cm



- ① **Telescoping Bracket Calf Standard 1-Way** **322050**
- ② **Telescoping Bracket Calf Compact** **322051**
- ③ **Telescoping Bracket Calf Clamp 76** **322052** 1.6 kg
- ④ **Telescoping Bracket Calf Clamp 76 2-Way** **322053** 2.1 kg
- ⑤ **Telescoping Bracket Calf Standard 2-Way** **322054** 1.5 kg
- ⑥ **Extension for calf feed front** **332028** 7 kg
With 2 add-on bars/Extension for calf feed front, max. 20 cm
- ⑦ **End Bar 45 x 45 for quick-lock TS** **321507** 4 kg
- ⑧ **and mounting brackets Quick-Lock TS for light dividers (Incl. clamps)** **304107** 3.6 kg











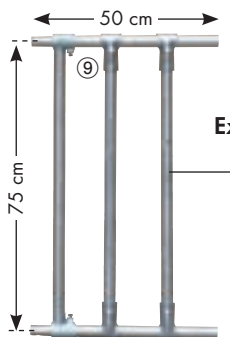
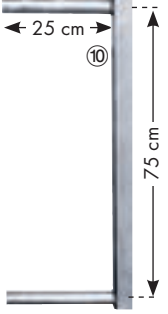

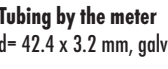


Please order telescoping brackets, posts and assembly accessories separately!



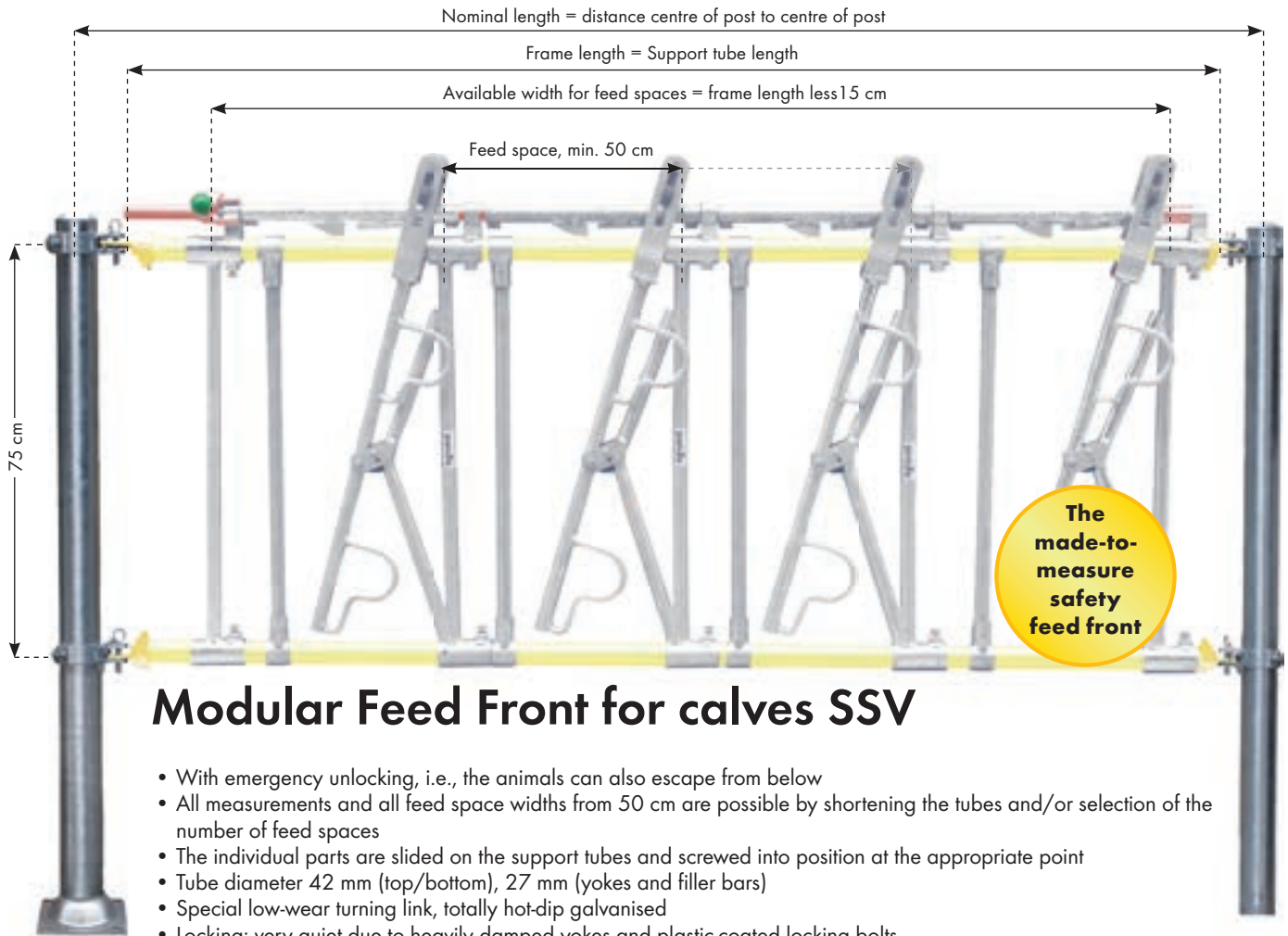
Modular Calf Diagonal Feed Front

- 2 support tubes Ø42.4 mm, 4 telescoping brackets Calf
- Incl. central support for length 4 m and up
- Frame height suspension point 75 cm

Description	Type	Ref.	Weight
	Support Frame Length 6 m	321534	42 kg
	Support Frame Length 5 m	321533	36 kg
	Support Frame Length 4 m	321532	30 kg
	Support Frame Length 3 m	321531	22 kg
	Support Frame Length 2 m	321530	16 kg
	Support Frame Length 1 m	321529	10 kg
	① Intermediate Bar for modular diagonal feed front	334009	2.0 kg
	② Start or End Element for modular diagonal feed front	334010	3.9 kg
	③ Central support for calf feed front	33429301	1.1 kg
	④ Telescoping Bracket Calf Standard 1-Way	322050	
	⑤ Telescoping Bracket Calf Compact	322051	
	⑥ Telescoping Bracket Calf Clamp 76	322052	1.6 kg
	⑦ Telescoping Bracket Calf Clamp 76 2-Way	322053	2.1 kg
	⑧ Telescoping Bracket Calf Standard 2-Way	322054	1.5 kg
	⑨ Extension for calf feed front With 2 add-on bars Extension for calf feed front, max. 20 cm	332028	7 kg
	⑩ End Bar 45 x 45 for quick-lock TS and mounting brackets	321507	4 kg
	⑪ Quick-Lock TS for light dividers (Incl. clamps)	304107	3.6 kg
	Tubing by the meter d= 42.4 x 3.2 mm, galvanised	341261	3.1 kg/m








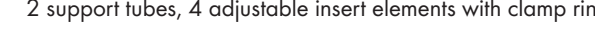
Please order telescoping brackets, posts and assembly accessories separately!



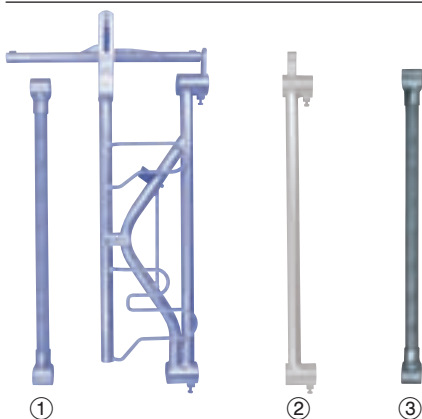
Modular Feed Front for calves SSV

- With emergency unlocking, i.e., the animals can also escape from below
- All measurements and all feed space widths from 50 cm are possible by shortening the tubes and/or selection of the number of feed spaces
- The individual parts are slid on the support tubes and screwed into position at the appropriate point
- Tube diameter 42 mm (top/bottom), 27 mm (yokes and filler bars)
- Special low-wear turning link, totally hot-dip galvanised
- Locking: very quiet due to heavily damped yokes and plastic-coated locking bolts

Description	Type	Ref.	Weight
-------------	------	------	--------

Support Frame Self-Locking Feed Front SSV Modular			
	Support Frame Calf Feed Front 6 m	322027	49 kg
	Support Frame Calf Feed Front 5 m	322026	42 kg
	Support Frame Calf Feed Front 4 m	322025	35 kg
	Support Frame Calf Feed Front 3 m	322019	26 kg
	Support Frame Calf Feed Front 2 m	322018	19 kg
	Support Frame Calf Feed Front 1 m	322009	12 kg

2 support tubes, 4 adjustable insert elements with clamp ring, 1 locking tube, 1 operating lever, 1 central support (4 m and over)

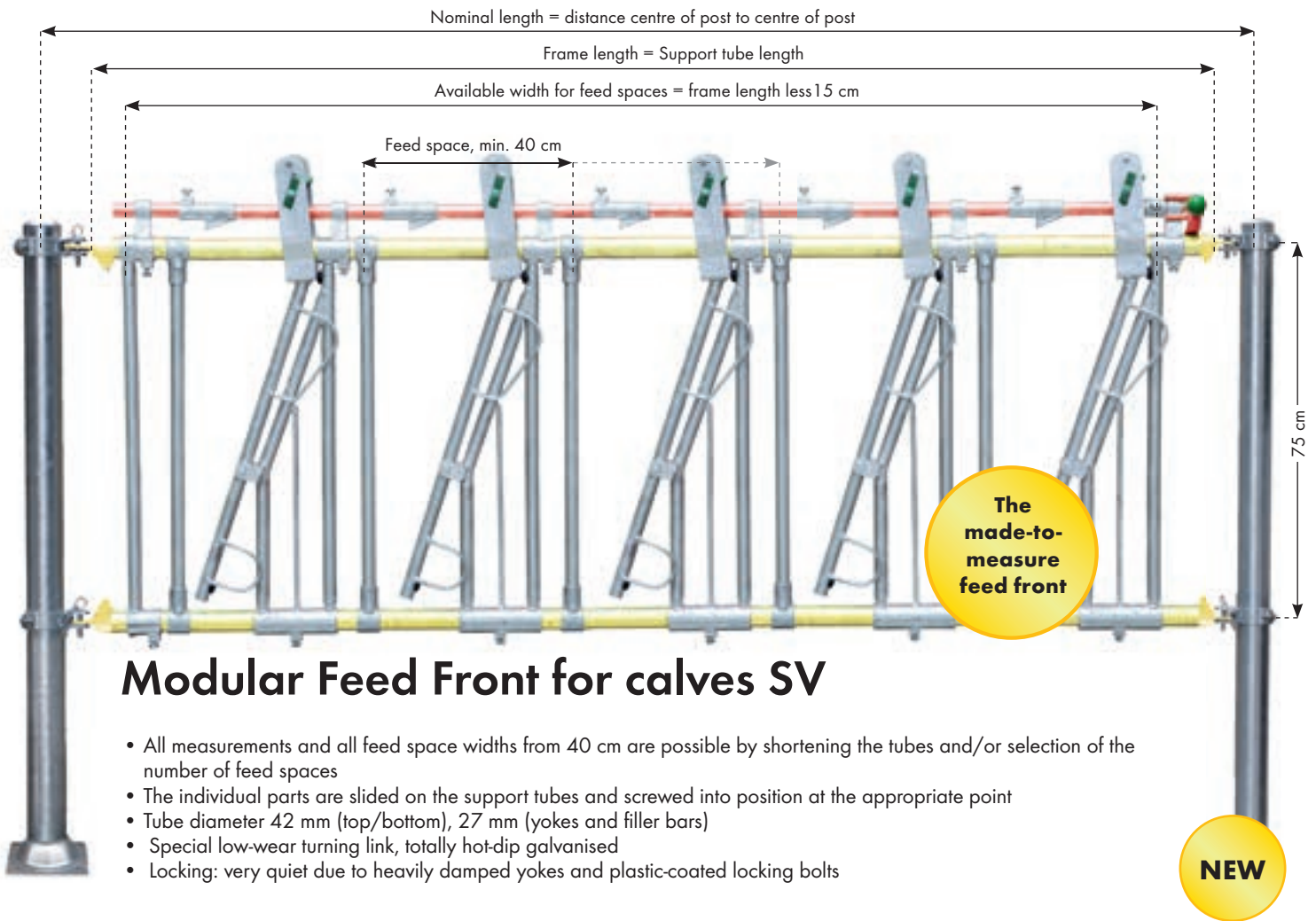


① Feed Space SSV with Yoke, Stop Buffer and Intermediate Bar with Clamps (Qty 1 per feed space)	322015	8.8 kg
② End Bar with Support For locking bar (Qty 1 per yoke)	322016	2.1 kg
③ Intermediate Bar With 2 T-clamps	322017	1.7 kg

Accessory bag for support tube calves **32201802** 4.4 kg
4 adjustable insert elements with clamp rings;
1 operating lever



Please order posts and assembly accessories separately



Barn and Stable Equipment - Feed Fronts, Accessories

Modular Feed Front for calves SV

- All measurements and all feed space widths from 40 cm are possible by shortening the tubes and/or selection of the number of feed spaces
- The individual parts are slid on the support tubes and screwed into position at the appropriate point
- Tube diameter 42 mm (top/bottom), 27 mm (yokes and filler bars)
- Special low-wear turning link, totally hot-dip galvanised
- Locking: very quiet due to heavily damped yokes and plastic-coated locking bolts

NEW

Type	Ref.	Weight	Description
Support Frame Self-Locking Feed Front SV Modular			
Support Frame Calf Feed Front 6 m	322027	49 kg	
Support Frame Calf Feed Front 5 m	322026	42 kg	
Support Frame Calf Feed Front 4 m	322025	35 kg	
Support Frame Calf Feed Front 3 m	322019	26 kg	
Support Frame Calf Feed Front 2 m	322018	19 kg	
Support Frame Calf Feed Front 1 m	322009	12 kg	

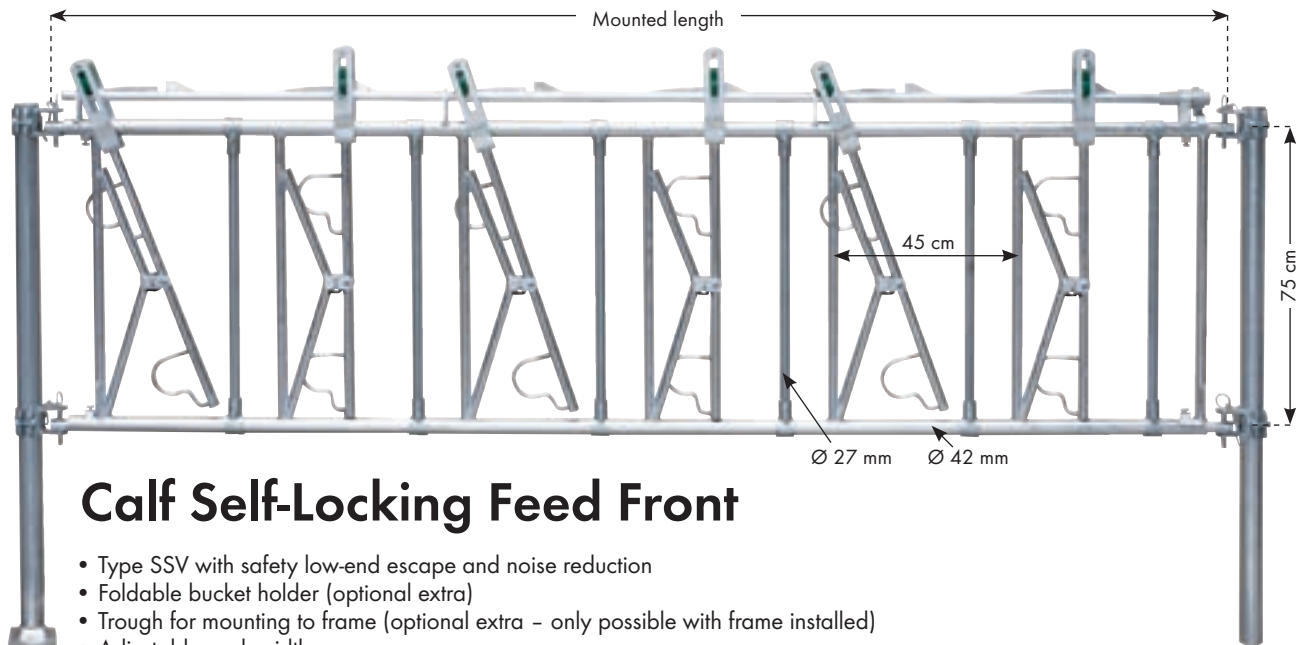
2 support tubes, 4 adjustable insert elements with clamp ring, 1 locking tube, 1 operating lever, 1 central support (4 m and over)

① Feed Space SV with Yoke, Stop Buffer and Intermediate Bar with Clamps (Qty 1 per feed space)	322014	10.5 kg
② End Bar with Support For locking bar (Qty 1 per yoke)	322016	2.1 kg
③ Intermediate Bar With 2 T-clamps	322017	1.7 kg
Accessory bag for support tube calves 4 adjustable insert elements with clamp rings; 1 operating lever	32201802	4.4 kg



Please order posts and assembly accessories separately





Calf Self-Locking Feed Front

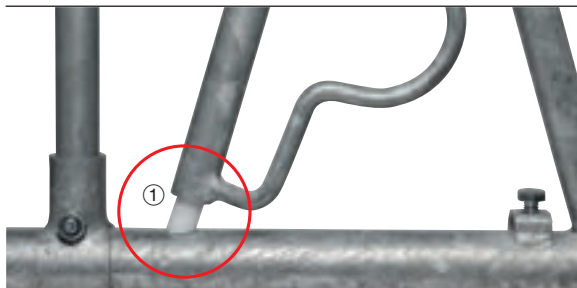
- Type SSV with safety low-end escape and noise reduction
- Foldable bucket holder (optional extra)
- Trough for mounting to frame (optional extra - only possible with frame installed)
- Adjustable neck width
- Incl. central support, length over 3 m
- **For calves up to 6 months max.**

Description

Type

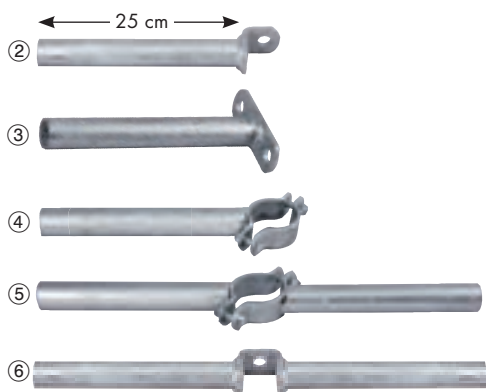
Ref.

Weight



Calf Feed Front 2/1 2 feed spaces	322002	22 kg
Calf Feed Front 4/2 4 feed spaces	322000	44 kg
Calf Feed Front 5/2.5 5 feed spaces	322001	57 kg
Calf Feed Front 6/3 6 feed spaces	322003	68 kg
Calf Feed Front 8/4 8 feed spaces	322005	93 kg
Calf Feed Front 10/5 10 feed spaces	322007	116 kg

5 installation variants

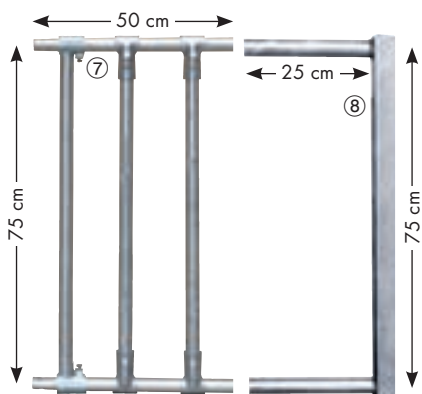


	2/1	4/2	5/2,5	6/3	8/4	10/5
Frame length:	93 cm	183 cm	236 cm	281 cm	381 cm	481 cm
Mounted length:	103 - 113 cm	193 - 203 cm	246 - 256 cm	291 - 301 cm	391 - 401 cm	491 - 501 cm

1 Transponder Guard for feed front for calves 321057

Covers space safely between yoke carrying tube
For feed front SSV and SSV Modular

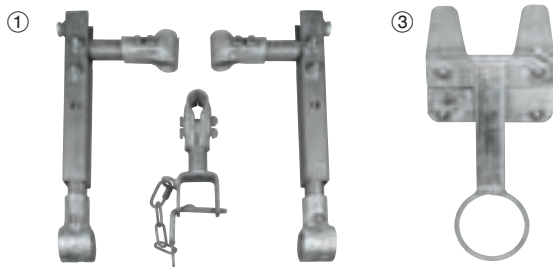
- ② **Telescoping Bracket Calf Standard 1-Way** 322050
- ③ **Telescoping Bracket Calf Compact** 322051
- ④ **Telescoping Bracket Calf Clamp 76** 322052 1.6 kg
- ⑤ **Telescoping Bracket Calf Clamp 76 2-Way** 322053 2.1 kg
- ⑥ **Telescoping Bracket Calf Standard 2-Way** 322054 1.5 kg
- ⑦ **Extension for calf feed front** 332028 7 kg
With 2 add-on bars Extension for calf feed front, max. 20 cm
- ⑧ **End Bar 45 x 45 for quick-lock TS and mounting brackets** 321507 4 kg
- ⑨ **Quick-Lock TS for light dividers (Incl. clamps)** 304107 3.6 kg



Please order telescoping brackets, posts and assembly accessories separately!

Type	Ref.	Weight	Description
① Modular Calf Bucket Holder	332230	4.6 kg	
② Tubing by the meter d= 42.4 x 3.2 mm, galvanised	341261	3.1 kg/m	
③ Feeding Bucket Holder for for tubing 42 mm (1 each place)	324004	1.3 kg	

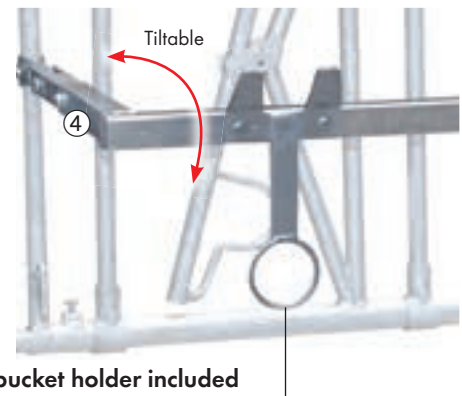
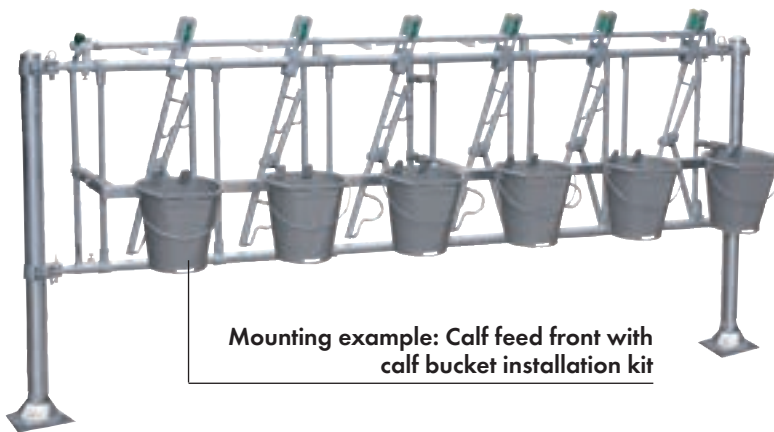
- Foldable, modular calf feeding bucket holder
- Enables feeding in a teat bucket on all self-locking and diagonal feed fronts
- Easy mounting and alignment of the teat bucket holder
- Folded up position allows for a secure and relaxed cleaning of the feeding table
- Simple and quick adjustment to the feeding place distances

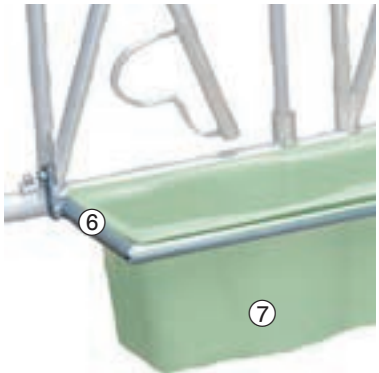


! Maximum length of 3 m per assembly kit
Installation on tube d = 27 mm

④ Calf Bucket Installation Kit 2/1	332209	8 kg
Calf Bucket Installation Kit 4/2	332210	12 kg
Calf Bucket Installation Kit 5/2.5	332211	13 kg
Calf Bucket Installation Kit 6/3	332212	17 kg
Calf Bucket Installation Kit 8/4	332213	20 kg
Calf Bucket Installation Kit 10/5	332214	23 kg

⑤ Calf Feed Space Divider 332201 2.3 kg



⑥ Frame for Calf Feed Front Trough 4/2 For 1 plastic trough with bucket insert 2 m	322030	6 kg	
Frame for Calf Feed Front Trough 5/2.5 For 1 plastic trough with bucket insert 2.5 m	322031	8 kg	
Frame for Calf Feed Front Trough 6/3 For 1 plastic trough with bucket insert 3 m	322032	9 kg	
Frame for Calf Feed Front Trough 8/4 For 2 plastic troughs with bucket insert 2 m	322033	12 kg	
Frame for calf feed front trough 10/5 For 2 plastic troughs with bucket insert 2.5 m	322034	14 kg	
⑦ Plastic Trough with Bucket Insert 2 m	322040	7 kg	
Plastic Trough with Bucket Insert 2.5 m	322041	9 kg	
Plastic Trough with Bucket Insert 3 m	322042	11 kg	

Important dimensions for horse stables

(Specification for horses with heights between 1.45 - 1.70 m)

Feed Area

- Height of feed table above floor: 20 - 60 cm
- Clear width feed access: 30 - 35 cm
- Feed space width: 60 - 80 cm
- Height of the trough edge above floor: 50 - 60 cm

Stall Dimensions

- Required floor space for individual box stall: 9 - 12 m²
- Required floor space for single-room freestall (without turnout area): 9 - 12 m²
- Required floor space for multi-room freestall with separate feed and turnout area (feed and turnout area not included): 6 - 9 m² per animal

Turnout Area

- Small turnout area for a single horse: min. 9 - 12 m²
- Arena for up to 2 horses: min. 150 m² (plus 40 m² for each extra horse)



Animal-friendly horse keeping

Horses are herding animals, living in social groups and feeding together. The individual animal feels safer in a group than alone. For the training of standard behaviour especially in the foal stage the group is irreplaceable.

The mutual body grooming reduces sickness and overcomes the fear of contact. Many health problems and disturbing behaviours are caused by the withdrawal from these basic needs.



A wide stable alley with horse feed fronts for efficient feed presentation and easy time-saving observation of the horses.



Horse feed fronts with a 20 cm raised feed table providing animal-friendly feed intake



Horse feed front for groups held in freestalls



Horse Feed Fronts

Horse feed fronts can be applied for provision of feed in individual as well as group enclosures. A feed table accessible by vehicle allows for provision of feed to larger groups with minimum effort. For individual horse stalls one gate is installed in the feed front of each stall.



Efficient feed distribution + animal-friendly feed intake

Various stall concepts like group penning with turnout area and group feeding can be very easily implemented with the flexible panels



Horse feed front for simple, efficient and animal-friendly feed provision, optimum stable climate through wind protection systems

With 5 decisive advantages for your benefit

Advantage 1:

Completely hot-dip galvanised
For long life

Advantage 2:

Adjustable length
Perfect fit for feed fronts

Advantage 3:

Adjustable height
For animal-friendly feed intake

Advantage 4:

Adjustable neck width
Suitable for all horse breeds

Advantage 5:

Easy access
For quick manure removal



Now even more rigid using 3-bolt connection

Solid 3-bolt clamping provides optimum stability for the feed front uprights



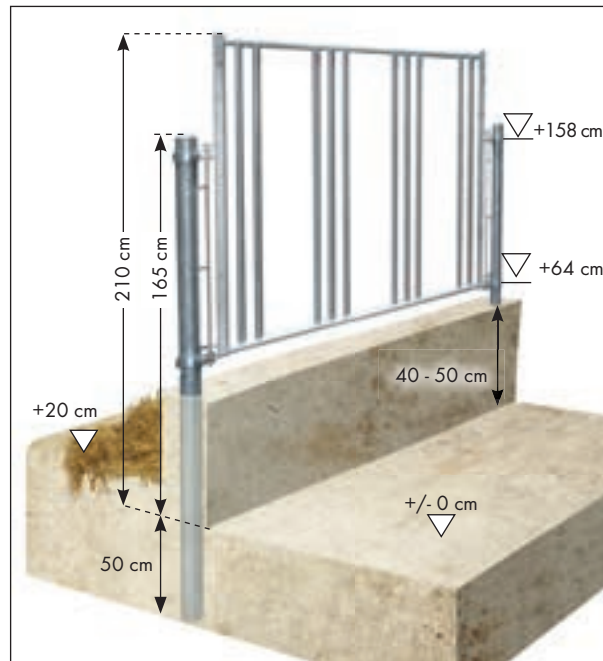
Telescoping brackets for easy installation

PATURA Horse Feed Fronts

- Bolted connections on both sides via one hand latch, the complete feed front can swing out
- Assembly to existing building structures or with posts 102 mm dia. l = 2.13 m
- Theoretical feed space width: approx. 70 cm (3 spaces = 2.1 m); approx. 73 cm (4 spaces = 2.92 m); approx. 58 cm (5 spaces = 2.92 m)
- Universal Horse Feed Front: Distance between feed spaces approx. 59 / 64 cm
- Safety Horse Feed Front: Distance between feed spaces approx. 53 cm

PATURA Horse Feed Fronts

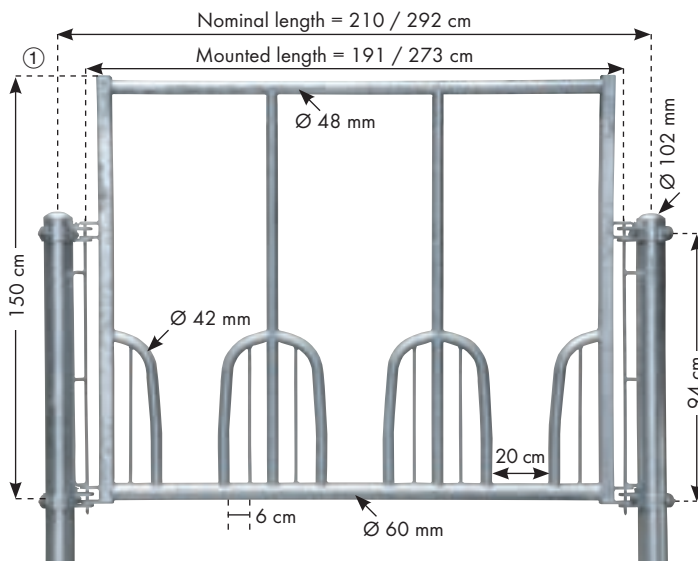
The PATURA horse feed fronts come without clamps and bolts. Filler bars are used to close the feed front between the individual feed spaces.



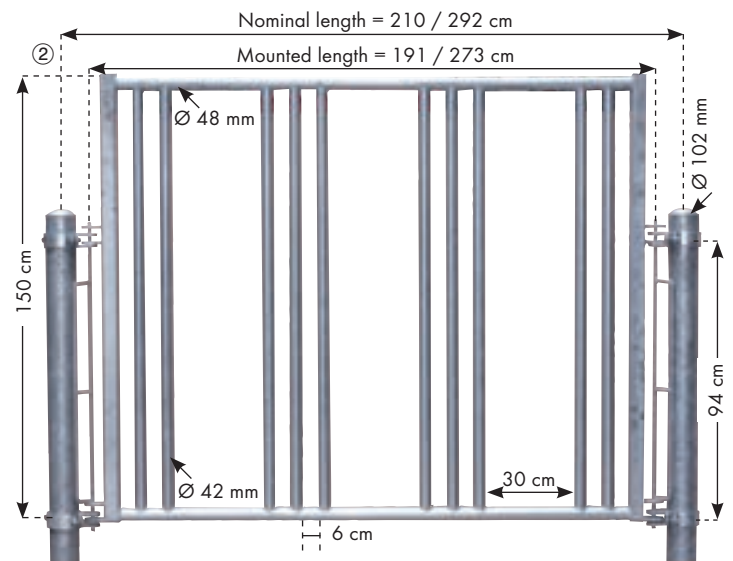
Feed Front - welded - easy installation

Closed off gaps for highest safety

Functional dimensions: safety horse feed front installation using mounting posts



Type



Ref.

Weight

① Universal Horse Feed Front l = 191 cm (mounted length) 3 feed spaces	303559	44 kg
Universal Horse Feed Front l = 277 cm (mounted length) 4 feed spaces	303558	55 kg
② Safety Horse Feed Front l = 191 cm (mounted length) 3 feed spaces	303563	54 kg
Safety Horse Feed Front l = 273 cm (mounted length) 5 feed spaces	303564	71 kg
One Hand Latch for feed fronts	334284	1.9 kg

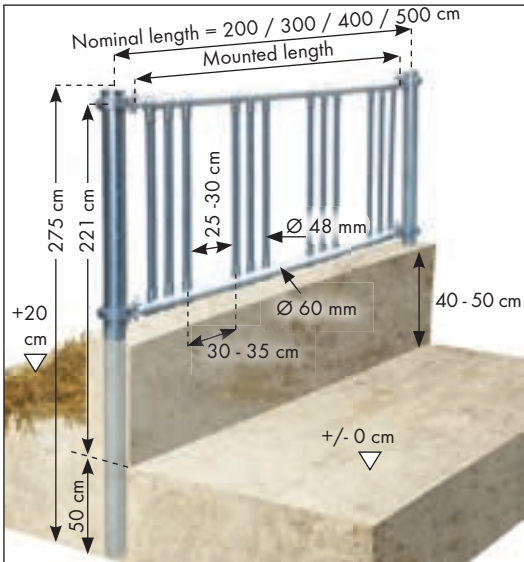
Nominal length:	210 cm	292 cm
Mounted length:	191 cm	273 cm



All dimensions are non-binding guidelines
Please order posts and assembly accessories separately

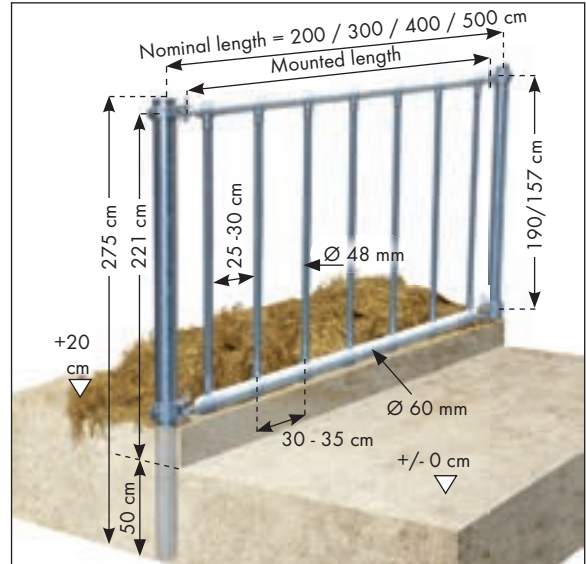
PATURA Modular Horse Feed Front

- Base frames in nominal length of 2, 3, 4 and 5 m, i.e. middle post to middle post mounting post dia. 102 mm
- Intermediate lengths available by shortening the tubes
- Height 1.57 m or 1.90 m
- Base frame tubing Ø 60.3 mm (2"), vertical bars 48.3 mm (1 1/2")
- Assembly to existing building structures or with posts 102 mm
- Bolted connections on both sides, the complete feed front can swing out
- For ease of installation the 4 telescoping brackets are integrated in the support tubes
- Required feed space width for large horses approx. 60 to 70 cm
- Clear bar spacing 25 - 30 cm = distance between centres of vertical bars 30 - 35 cm
- Shipped loose as a kit



Safety layout of modular horse feed front with vertical bars

SAFETY ADVISE
Clear bar spacings from 5 to 30 cm should be avoided



Standard layout of modular horse feed front with vertical bars

Barn and Stable
 Equipment - Feed
 Fronts, Accessories

Calculation or order example: (standard layout)

Horse feed front 2.65 m wide, bar spacing approx. 35 cm centre to centre

- Horse feed front width 2.65 m (post centre)
- Required support tube nominal length 3.00 m
- Effective support tube length ÷ feed front width - (2 x post radius) - (2 x suspension width) = 2.65 m - (2 x 0.05 m) - (2 x 0.075 m) = 2.40 m
- Number of vertical bars:
 Support tube length ÷ bar spacing (centre to centre) + 1 end bar = 2.40 m ÷ 0.35 m = 6.85 + 1 = 7.85 bars (rounding up to 8 bars)

Order:

- ① **1x** 2 Support tubes Ø 60.3 mm diam.
 4 telescoping brackets
- ② **8x** Vertical Bar Ø 48.3 mm

Mounting posts length 2.75 m, order clamps and fasteners separately

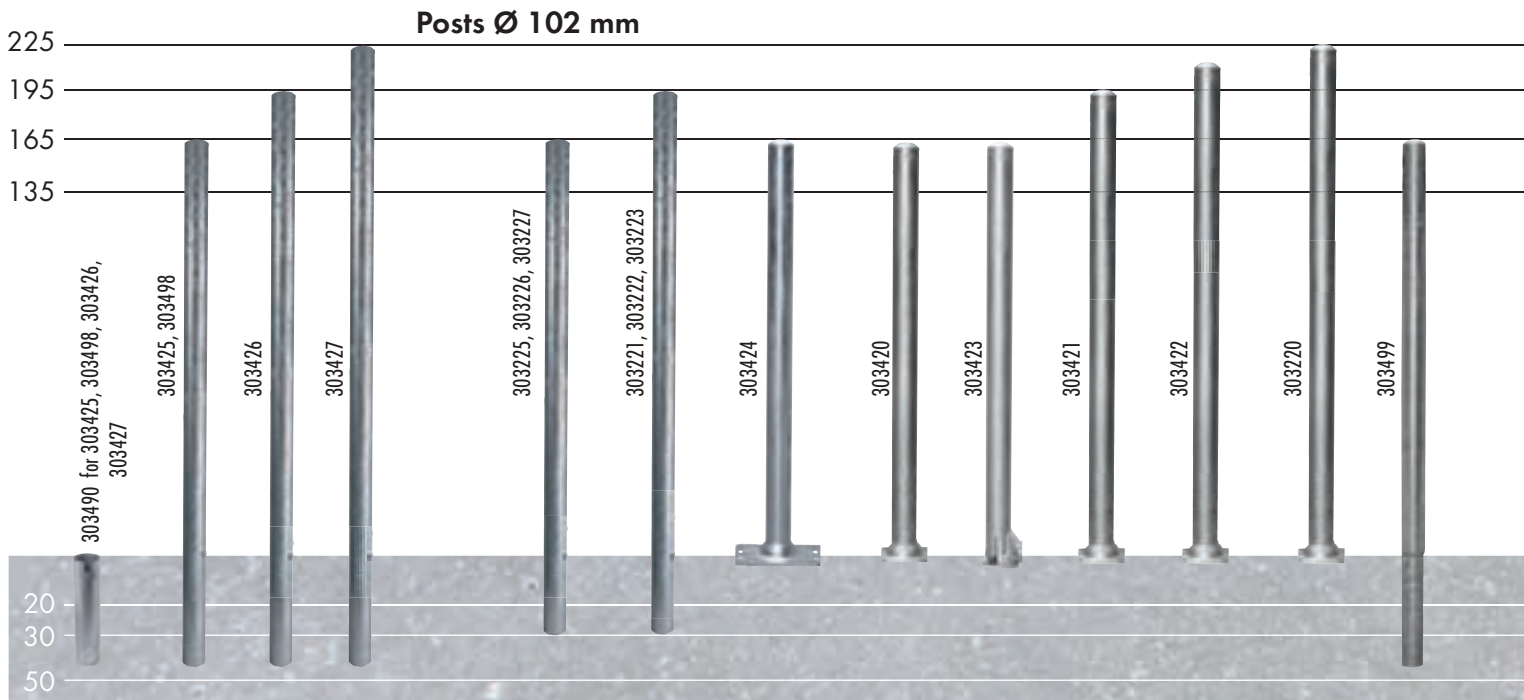
Type	Ref.	Weight
Support Frame for modular feed front 5 m (without filler bars) 2 support tubes 60.3 mm diam., 4 telescoping brackets, with central support	321513	43 kg
Support Frame for modular feed front 4 m (without filler bars) 2 support tubes 60.3 mm diam., 4 telescoping brackets, with central support	321512	35 kg
① Support Frame for modular feed front 3 m (without filler bars) 2 Support tubes Ø 60.3 mm diam., 4 telescoping brackets	321511	27 kg
Support Frame for modular feed front 2 m (without filler bars) 2 support tubes 60.3 mm diam., 4 telescoping brackets	321510	19 kg
Vertical Bar Ø 48.3 mm Length 1.47 m with 2 reinforced T-clamps	303415	7 kg
② Vertical Bar Ø 48.3 mm Length 1.80 m with 2 reinforced T-clamps	303418	8.5 kg

	5 m	4 m	3 m	2 m
Nominal length:	500 cm	400 cm	300 cm	200 cm
Mounted length:	480 - 495 cm	380 - 395 cm	280 - 295 cm	180 - 195 cm



All dimensions are non-binding guidelines
Please order posts and assembly accessories separately

The PATURA Posts: The ultimate range!

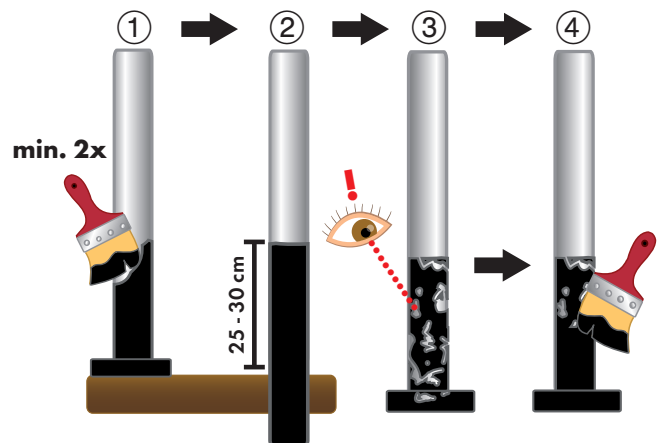


Optimal protection for stall posts

Stable equipment is usually made out of galvanised steel these days. Galvanising offers very good and economical protection against rust, which occurs commonly with non-galvanised steel. However, the layer of galvanising offers no protection against the damage caused by acids and leaches. Acids and leaches corrode zinc as well as iron and many other metals. Acids and leaches appear in stables through many sources: in liquid, semi-liquid and solid manure and especially in silage.

So, what to do?

1. Plan your stable so that as few posts as possible will be placed at critical points. Contact us before planning your stable. We'll be glad to advise you.
2. Coat all posts, dividers and cubicle dividers which cannot avoid contact with slurry, silage, etc., with a bitumen coating or use PVC-sleeves for the posts.
3. Install a protective shell made of concrete so high that the slurry or silage cannot reach the post (see the drawing on the right).
4. Use stainless steel posts for particular critical areas.
5. Clean your entire stable regularly using a pressure-washer. This will extend its life span considerably.

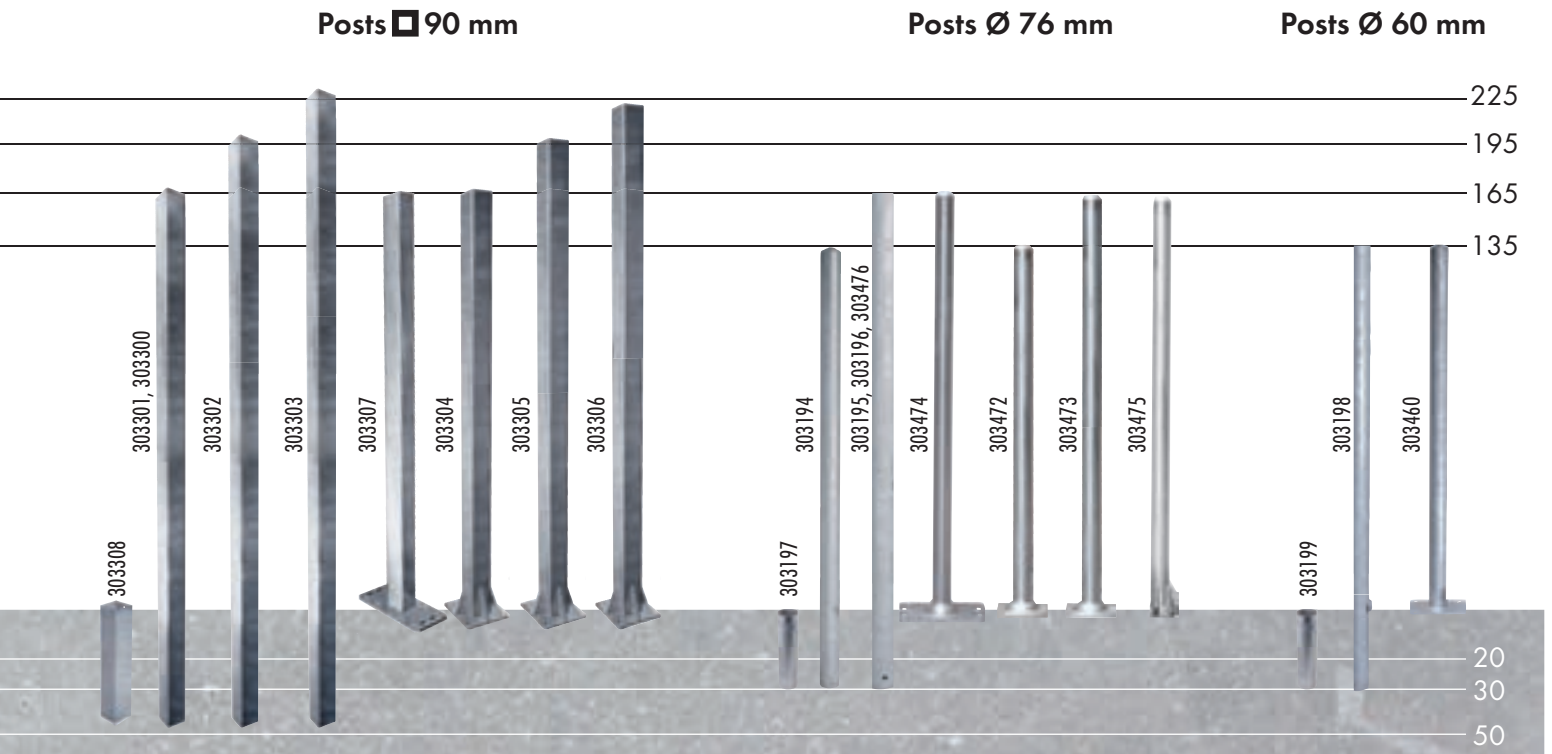


Post with concrete encasement



Bitumen protective coating

Type	Ref.	Weight	Description
Bitumen Protective Paint 1 l	339202	1.1 kg	
Bitumen Protective Paint 5 l	339205	5 kg	
Bitumen Protective Paint 10 l	339210	10.1 kg	
Bitumen Protective Paint 30 l	339212	30 kg	



Barn and Stable
Equipment - Feed
Fronts, Accessories

	102 mm	90 mm	76 mm	60 mm
Posts with Base Plate and Conical Reinforcement (patented)				
<ul style="list-style-type: none"> • High safety for roofs • Maximum stability • Easy to clean, no areas which are difficult to access • Patented 	✓		✓	
Posts stainless steel with gusset plates				
<ul style="list-style-type: none"> • For critical areas in the stable 	✓		✓	
Posts Ø 60 mm				✓
<ul style="list-style-type: none"> • Economical alternative for small loads 				
Additional lengths	✓			
<ul style="list-style-type: none"> • Ideal length for more application 				
Well-proven: special wall thickness 6 mm	✓	✓	✓	
<ul style="list-style-type: none"> • For particularly high loads 				
Well-proven: posts for slatted floor	✓	✓	✓	
<ul style="list-style-type: none"> • With special base plate for easy installation on slatted floor 				

Type	Ref.	Weight	Description
PVC-Sleeve for post 76 mm L = 17 cm	339300		1. Immerse PVC-sleeve in hot water 2. Slip over post with the thinner side on top
PVC-Sleeve for post 90 x 90 mm L = 18 cm	339302		For Post 90 x 90 mm
PVC-Sleeve for post 102 mm L = 18 cm	339301		1. Slip over PVC-sleeve and fix it 2. Set in concrete approx. 10 cm and glue the PVC-sleeve at the top end
Shrink hose 120mm/40mm, inside adhesive length 1.22 m	339303		

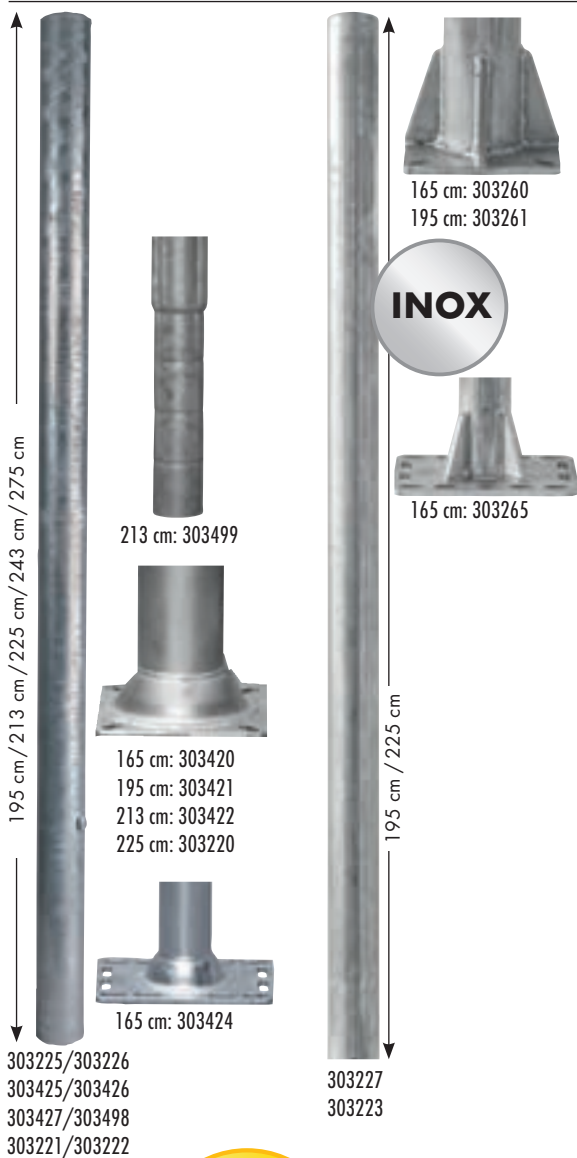


Description

Type

Ref.

Weight



Posts stainless steel Ø 102 mm with 4.0 mm walls

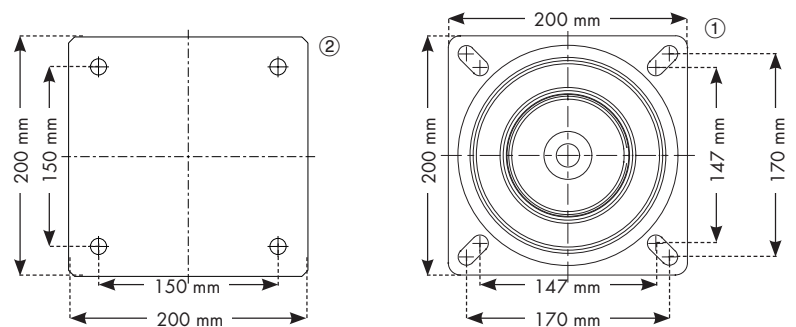
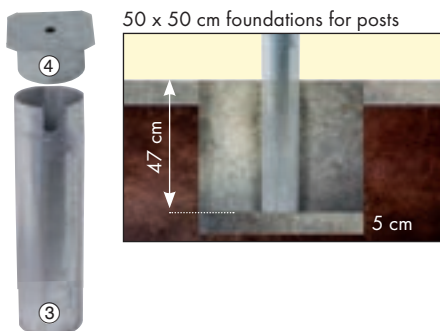
Post 102, 1.95 m, stainless steel	303227	20 kg
Post 102, 2.25 m, stainless steel	303223	23 kg
Post 102, 1.65 m, stainless steel	303260	19 kg
Base plate 200 x 200 x 8 mm		
Post 102, 1.95 m, stainless steel	303261	22 kg
Base plate 200 x 200 x 8 mm		
Post 102, 1.65 m, stainless steel	303265	21 kg
Base plate 350 x 250 x 10 mm for slotted floor		

Posts Ø 102 mm with 4.0 mm walls (standard)

Post 102, 1.95 m	303225	20 kg
Post 102, 1.95 m, for mounting sleeve	303226	29 kg
6 mm walls		
Post 102, 2.13 m, for mounting sleeve	303425	21 kg
Post 102, 2.13 m, for mounting sleeve	303498	30 kg
6 mm walls		
Post 102, 2.25 m	303221	23 kg
Post 102, 2.25 m	303222	33 kg
6 mm walls		
Post 102, 2.43 m, for mounting sleeve	303426	24 kg
Post 102, 2.75 m, for mounting sleeve	303427	27 kg
① Post 102, 1.65 m	303420	19 kg
Base plate 200 x 200 x 8 mm		
① Post 102, 1.95 m	303421	22 kg
Base plate 200 x 200 x 8 mm		
① Post 102, 2.13 m	303422	23 kg
Base plate 200 x 200 x 8 mm		
① Post 102, 2.25 m	303220	26 kg
Base plate 200 x 200 x 8 mm		
Post 102, 1.65 m	303424	21 kg
Base plate 350 x 250 x 10 mm for slotted floor		
② Post 102, 1.65 m	303423	18 kg
Base plate excentric		
Post 102, 2.13 m, spare	303499	21 kg
for plugging into cut-off posts		
Counter Plate 200 x 200 x 8 mm	341200	2.0 kg

Please find installation depths on page B76/B77

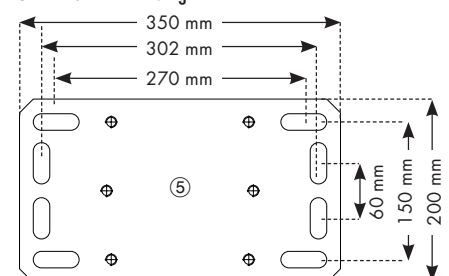
- Mounting sleeves simplify post removal
- Also use for places where posts could later be installed
- Sleeve cap prevents the ingress of dirt when the post is removed
- Protection against twisting prevents unintentional rotation



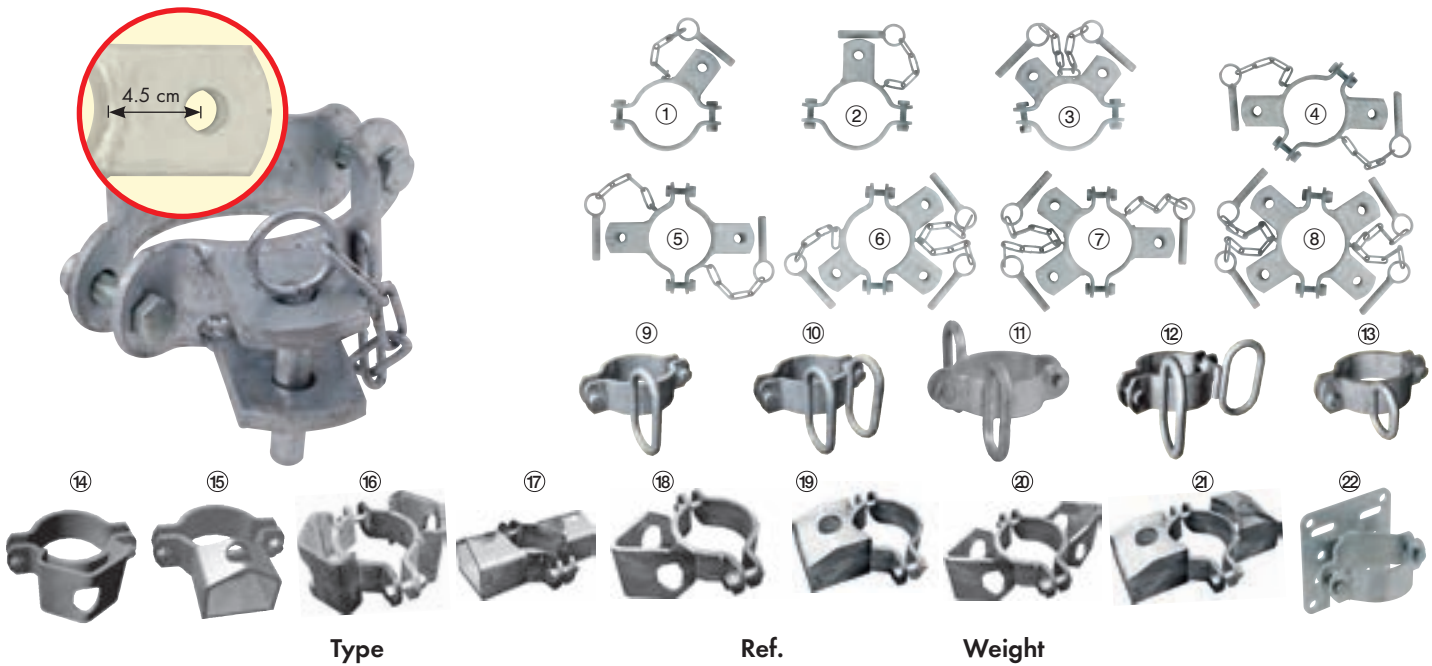
③ Mounting Sleeve 102	303490	5 kg
47 cm long, outer Ø 114 mm		
suitable for posts 303425, 303498, 303426, 303427		

④ Mounting Sleeve Cap 102	303491	
---------------------------	--------	--

⑤ Adaptor Plate for slotted floor	341198	5 kg
350 x 200 x 10 mm		
For mounting posts 102, 90 and 76 with base plate to slatted floors		



! All posts which come into contact with animal soil and feeding material should be painted with a bitumen coating!



Barn and Stable
Equipment - Feed
Fronts, Accessories

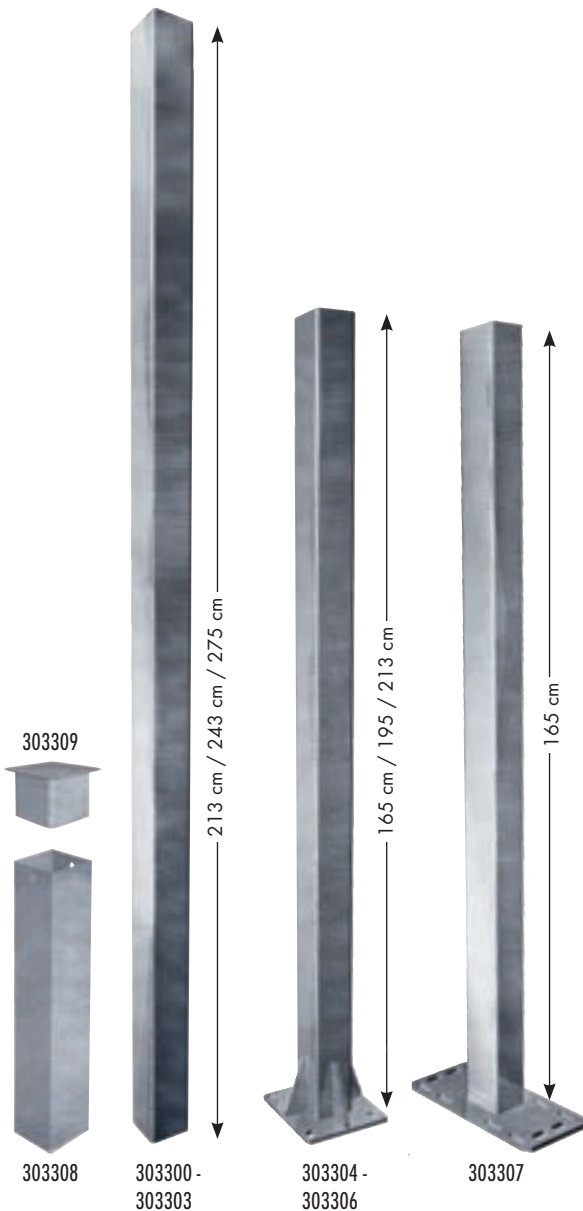
Type	Ref.	Weight
① Clamp 102, 1 fastener	303480	2.2 kg
② Clamp 102, 1 fastener centred	303435	2.0 kg
③ Clamp 102, 2 fastener angled	303481	2.5 kg
④ Clamp 102, 2 fastener	303482	2.6 kg
⑤ Clamp 102, 2 fastener centred	303436	2.5 kg
⑥ Clamp 102, 3 fastener	303483	3.2 kg
⑦ Clamp 102, 3 fastener centred	303462	3.1 kg
⑧ Clamp 102, 4 fastener	303484	3.6 kg
⑨ Clamp 102, 1 lock bracket	303485	1.7 kg
⑩ Clamp 102, 2 lock brackets	303486	1.9 kg
⑪ Clamp 102, 2 lock brackets parallel	303431	2.0 kg
⑫ Clamp 102, 2 lock brackets angled	303488	2.0 kg
⑬ Clamp 102, 1 lock bracket light For light gates	303430	1.6 kg
⑭ Clamp 102, 1 lock bracket RS	303380	2.2 kg
⑮ Clamp 102, 1 lock bracket TS	303381	2.3 kg
⑯ Clamp 102, 2 lock brackets RS	303374	2.9 kg
⑰ Clamp 102, 2 lock brackets TS	303375	3.1 kg
⑱ Clamp 102, 2 lock brackets TS, parallel	303379	2.2 kg
⑲ Clamp 102, 2 lock brackets TS, parallel	303378	2.5 kg
⑳ Clamp 102, 2 lock bracket RS parallel	303376	2.8 kg
㉑ Clamp 102, 2 lock bracket TS parallel	303377	3.6 kg
㉒ Clamp 102, fastener for drinking bowls (For Mod. 19R, 46, 115, 25R, 12P, 1200, Forstal, Lac 5, Lac 55, F30, F30A, F60, 10P, 20, 340, 370, 375, 130, 350)	341203	2.7 kg

Description

Type

Ref.

Weight



Posts □ 90 x 90 mm with 4.0 mm walls (standard)

Post 90, 2.13 m 303301 22 kg

Post 90, 2.13 m 303300 33 kg
Wall thickness 6 mm

Post 90, 2.43 m 303302 26 kg

Post 90, 2.75 m 303303 29 kg

Post 90, 1.65 m 303304 21 kg
Base plate 200 x 200 x 8 mm

Post 90, 1.95 m 303305 24 kg
Base plate 200 x 200 x 8 mm

Post 90, 2.13 m 303306 26 kg
Base plate 200 x 200 x 8 mm

Post 90, 1.65 m 303307 23 kg
Base plate 200 x 350 mm
For slatted floor

Counter Plate 200 x 200 x 8 mm 341200 2.0 kg

① **Clamp 90, 1 fastener** 303310 1.6 kg

② **Clamp 90, 2 fastener** 303311 2.2 kg

③ **Clamp 90, 2 fastener parallel** 303312 2.4 kg

④ **Clamp 90, 2 fastener angled** 303313 2.4 kg

⑤ **Clamp 90, 3 fastener, 1 x parallel** 303314 2.9 kg

⑥ **Clamp 90, 3 fastener angled** 303315 3.0 kg

⑦ **Clamp 90, 4 fastener angled** 303316 3.7 kg

⑧ **Clamp 90, 4 fastener parallel** 303317 3.7 kg

⑨ **Clamp 90, 1 lock bracket** 303320 1.4 kg

⑩ **Clamp 90, 2 lock brackets** 303321 2.2 kg

⑪ **Clamp 90, 2 lock brackets parallel** 303322 1.9 kg

⑫ **Clamp 90, 2 lock brackets angled** 303324 1.9 kg

⑬ **Clamp 90, 1 lock bracket light** 303323 1.4 kg

(For light gates)

⑭ **Clamp 90, 1 lock bracket RS** 303382 1.6 kg

⑮ **Clamp 90, 1 lock bracket TS** 303342 2.1 kg

⑯ **Clamp 90, 2 lock brackets RS** 303343 2.0 kg

⑰ **Clamp 90, 2 lock brackets TS** 303344 2.9 kg

⑱ **Clamp, 90 mm, 2 lock brackets RS, parallel** 303383 2.8 kg

⑲ **Clamp 90, 2 lock brackets TS parallel** 303345 3.5 kg

⑳ **Clamp 90, fastener for drinking bowls** 303329 3.3 kg

(Mod. 19R, 46, 115, 25R, 12P, 1200, Forstal, Lac 5, Lac 55, F30, F30A, F60, 10P, 20, 340, 370, 375, 130, 350)

Mounting Sleeve 90 303308 3.0 kg

47 cm long, 100 x 100 mm (outside), suitable for posts 303300 - 303303

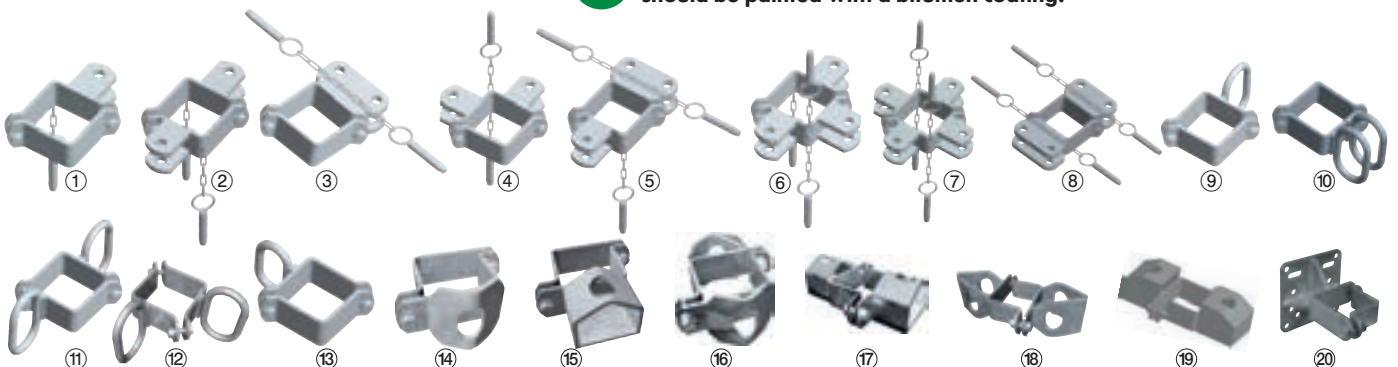
Mounting Sleeve Cap 303309 1.0 kg







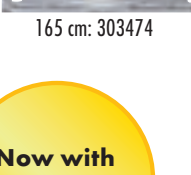



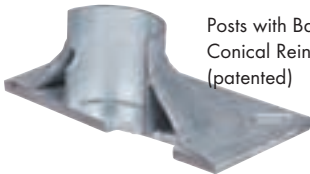




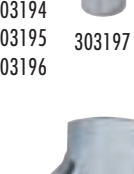


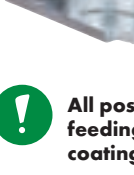


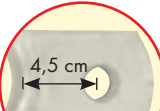
Square 90

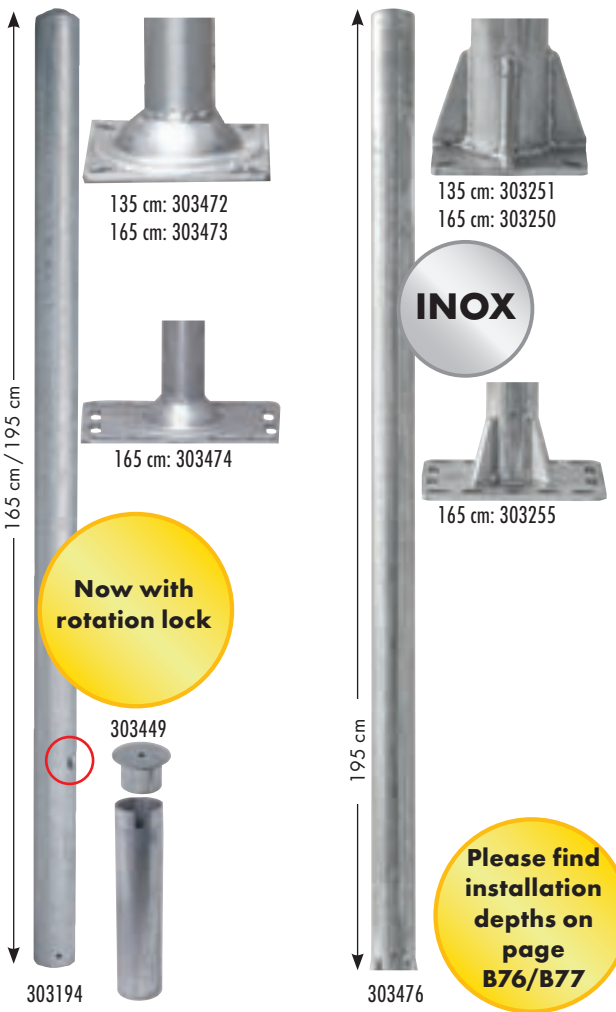
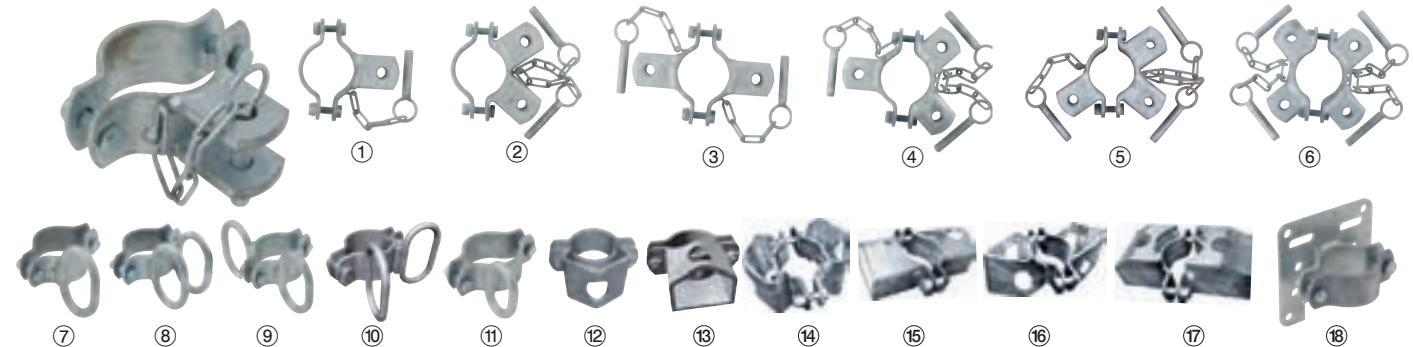
Please find installation depths on page B76/B77



All posts which come into contact with animal soil and feeding material should be painted with a bitumen coating!

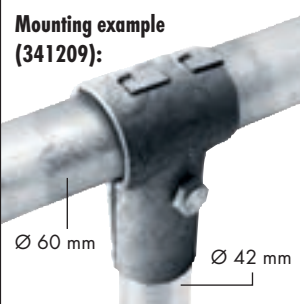

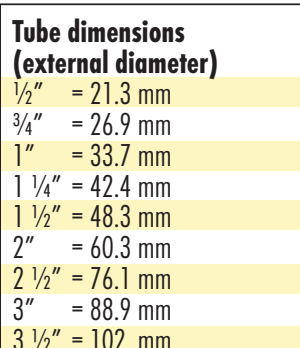

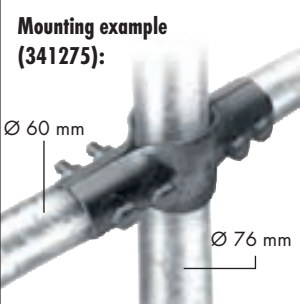



Type	Ref.	Weight	Description
Posts stainless steel Ø 76 mm with 3.6 mm walls			
Post 76, 1.95 m, stainless steel	303476	13 kg	 135 cm: 303472 165 cm: 303473
Post 76, 1.35 m, stainless steel	303251	12.5 kg	
Base plate 200 x 200 x 8 mm			 135 cm: 303251 165 cm: 303250
Post 76, 1.65 m, stainless steel	303250	15 kg	
Base plate 200 x 200 x 8 mm			 135 cm: 303251 165 cm: 303250
Post 76, 1.65 m, stainless steel	303255	16 kg	
Base plate 250 x 350 x 8 mm for slatted floor			 165 cm: 303255
Post 76, 1.65 m, stainless steel	303255	16 kg	
Posts Ø 76 mm with 3.6 mm walls (standard)			
Post 76, 1.65 m	303194	11.1 kg	 165 cm: 303474
Post 76, 1.95 m	303195	13 kg	
Post 76, 1.95 m	303196	21 kg	 165 cm: 303255
6 mm walls			
Post 76, 1.35 m	303472	12.5 kg	 165 cm: 303474
Base plate 200 x 200 x 8 mm			
Post 76, 1.65 m	303473	15 kg	 165 cm: 303474
Base plate 200 x 200 x 8 mm			
Post 76, 1.65 m	303474	16 kg	 165 cm: 303474
Base plate 250 x 350 mm for slatted floor			
Post 76, 1.65 m	303475	13 kg	 165 cm: 303475
Base plate 140 x 200 mm excentric			
Counter Plate 200 x 200 x 8 mm	341200	2.0 kg	 Posts with Base Plate and Conical Reinforcement (patented)
① Clamp 76, 1 fastener	303433	1.5 kg	
② Clamp 76, 2 fastener angled	303434	2.1 kg	 303449
③ Clamp 76, 2 fastener	303437	2.1 kg	
④ Clamp 76, 3 fastener centered	303438	2.4 kg	 303197
⑤ Clamp 76, 3 fastener	303479	2.4 kg	
⑥ Clamp 76, 4 fastener	303439	3.0 kg	 303194 303195 303196
⑦ Clamp 76, 1 lock bracket	303441	1.3 kg	
⑧ Clamp 76, 2 lock brackets	303444	1.7 kg	 303197
⑨ Clamp 76, 2 lock brackets parallel	303443	1.7 kg	
⑩ Clamp 76, 2 lock brackets angled	303478	1.4 kg	 303197
⑪ Clamp 76, 1 lock bracket light	303442	1.3 kg	
(For light gates)			 303197
⑫ Clamp 76, 1 lock bracket RS	303384	1.6 kg	
⑬ Clamp 76, 1 lock bracket TS	303385	1.8 kg	 303197
⑭ Clamp 76, 2 lock brackets RS	303386	2.3 kg	
⑮ Clamp 76, 2 lock brackets TS	303387	2.7 kg	 303197
⑯ Clamp 76, 2 lock brackets RS parallel	303388	2.4 kg	
⑰ Clamp 76, 2 lock brackets TS parallel	303389	3.2 kg	 303197
⑱ Clamp 76, fastener for drinking bowls	303469	2.2 kg	
(Mod. 19R, 46, 115, 25R, 12P, 1200, Forstal, Lac 5, Lac 55, F30, F30A, F60, 10P, 20, 340, 370, 375, 130, 350)			 303197
Mounting Sleeve 76	303197	2.0 kg	
30 cm long, outer Ø 89 mm suitable for posts 303194, 303195, 303196			 4,5 cm
Mounting Sleeve Cap 76	303449		

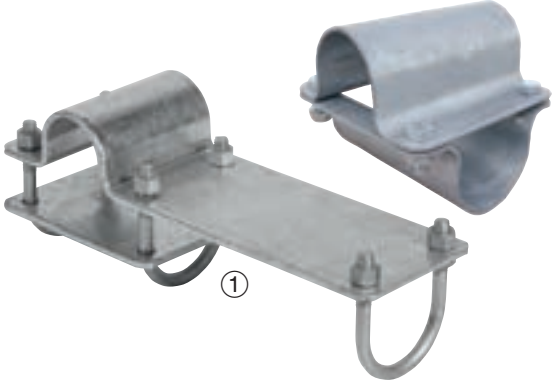



! All posts which come into contact with animal soil and feeding material should be painted with a bitumen coating!

Barn and Stable Equipment - Feed Fronts, Accessories

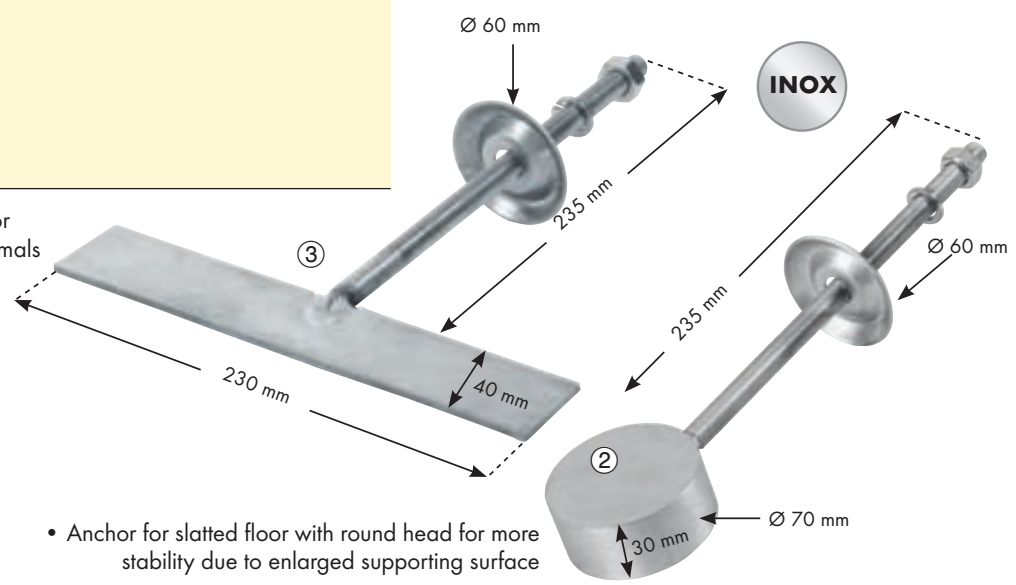
Description	Type	Ref.	Weight
 <p>Mounting example (341209):</p>	T-Clamp, interlocked, 60 mm x 42 mm 2" x 1 1/4"	341209	
	T-Clamp, interlocked, 48 mm x 42 mm 1 1/2" x 1 1/4"	341227	
	T-Clamp, interlocked, 42 mm x 42 mm 1 1/4" x 1 1/4"	341226	
	T-Clamp, interlocked, 42 mm x 27 mm 1 1/4" x 3/4"	341001	
	T-Clamp, 1 screw, 60 mm x 48 mm 2" x 1 1/2"	341208	
	T-Clamp, 1 screw, 48 mm x 48 mm 1 1/2" x 1 1/2"	341207	
	T-Clamp, 1 screw, 48 mm x 42 mm 1 1/2" x 1 1/4"	341002	
 <p>Tube dimensions (external diameter)</p> <p>1/2" = 21.3 mm</p> <p>3/4" = 26.9 mm</p> <p>1" = 33.7 mm</p> <p>1 1/4" = 42.4 mm</p> <p>1 1/2" = 48.3 mm</p> <p>2" = 60.3 mm</p> <p>2 1/2" = 76.1 mm</p> <p>3" = 88.9 mm</p> <p>3 1/2" = 102 mm</p>	T-Clamp, 2 screws, 76 mm x 60 mm 2 1/2" x 2"	341270	1.5 kg
	T-Clamp, 2 screws, 76 mm x 48 mm 2 1/2" x 1 1/2"	341271	1.2 kg
	T-Clamp, 2 screws, 60 mm x 60 mm 2" x 2"	341214	1.1 kg
	T-Clamp, 2 screws, 48 mm x 60 mm 1 1/2" x 2"	341012	
	T-Clamp, 3 Screws, 102 mm x 60 mm 3 1/2" x 2"	341360	1.8 kg
	T-Clamp, 3 Screws, 102 mm x 48 mm 3 1/2" x 1 1/2"	341348	1.6 kg
	T-Clamp, 3 screws, 76 mm x 60 mm 2 1/2" x 2"	341291	1.2 kg
	T-Clamp, 3 screws, 60 mm x 60 mm 2" x 2"	341217	1.1 kg
	T-Clamp, 3 screws, 60 mm x 48 mm 2" x 1 1/2"	341213	
	Double T-Clamp, 102 mm x 60 mm 3 1/2" x 2"	341361	2.4 kg
	Double T-Clamp, 102 mm x 48 mm 3 1/2" x 1 1/2"	341349	2.1 kg
 <p>Mounting example (341275):</p>	Double T-Clamp, 76 mm x 60 mm 2 1/2" x 2"	341275	1.6 kg
	Double T-Clamp, 76 mm x 48 mm 2 1/2" x 1 1/2"	341276	1.4 kg
	Double T-Clamp, 60 mm x 60 mm 2" x 2"	341211	1.4 kg
	Double T-Clamp, 60 mm x 48 mm 2" x 1 1/2"	341210	1.2 kg
	Cross-Over Clamp, 102 mm x 60 mm 3 1/2" x 2"	341222	2,1 kg
	Cross-Over Clamp, 89 mm x 76 mm 3" x 2 1/2"	341016	1.3 kg
	Cross-Over Clamp, 76 mm x 60 mm 2 1/2" x 2"	341273	1.4 kg
	Cross-Over Clamp, 76 mm x 48 mm 2 1/2" x 1 1/2"	341272	1.3 kg
	Cross-Over Clamp, 76 mm x 42 mm 2 1/2" x 1 1/4"	341293	1,3 kg
	Cross-Over Clamp, 60 mm x 60 mm 2" x 2"	341221	1.3 kg
	Cross-Over Clamp, 60 mm x 48 mm 2" x 1 1/2"	341220	1.2 kg
	Cross-Over Clamp, 60 mm x 42 mm 2" x 1 1/4"	341233	1.2 kg

Description	Type	Ref.	Weight						
	① Saddle Clamp 102 mm	341204							
	Saddle Clamp 89 mm	334606							
	3" Saddle Clamp 76 mm	341274							
	2 1/2" Saddle Clamp 60 mm	341231							
	2" Saddle Clamp 48 mm	341230							
	1 1/2" Saddle Clamp 42 mm	341229							
	1 1/4" Saddle Clamp 90 x 90 mm	323919							
	② Tube clamp 60 x 60 mm	323906							
		Cap 102 mm	340070						
		3 1/2" Cap 76 mm	341243						
2 1/2" Cap 60 mm		341241							
2" - tube size 1.5 - 2 mm Cap 60 mm		340060							
2" - tube size 3 - 4 mm Cap 48 mm		341240							
1 1/2"									
	① U-Bolt 90 x 90 mm	341015							
	M10								
	② U-Bolt 34 mm	341010							
	1" - M8								
	② U-Bolt 42 mm	34124801							
	1 1/4" - M8								
	③ U-Bolt 48 mm	8639962							
	1 1/2" - M10								
	④ U-Bolt 60 mm	341242							
	2" - M10 with bar								
⑤ U-Bolt 60 mm	341237								
2" - M10 without bar									
⑤ U-Bolt 76 mm	341246								
2 1/2" - M10									
⑤ U-Bolt 89 mm	341014								
3" - M10									
⑥ U-Bolt 102 mm	341247								
3 1/2" - M10									
	①	②	②	③	④	⑤	⑤	⑤	⑤
	90 x 90 mm	34 mm	42 mm	48 mm	60 mm	60 mm	76 mm	89 mm	102 mm
Thread diameter:	M 10	M 8	M 8	M 10	M 10	M 10	M 10	M 10	M 10
Thread length:	15 mm	25 mm	30 mm	30 mm	35 mm	35 mm	40 mm	40 mm	40 mm
Internal width:	90 mm	35 mm	43 mm	50 mm	61 mm	61 mm	76 mm	92 mm	102 mm
Internal height:	110 mm	60 mm	60 mm	80 mm	80 mm	80 mm	110 mm	115 mm	135 mm
	⑧ Tube Joint for tubing Ø 89 mm	334605	2.2 kg						
	3", l = 34 cm, external Ø 80 mm								
	⑨ Tube Joint for tubing Ø 60 mm	341278							
	2", l = 26 cm, external Ø 52 mm								
⑨ Tube Joint for tubing Ø 48 mm	341279								
1 1/2", l = 26 cm, external Ø 40 mm									
⑩ Tube Joint (outer) for tubing Ø 48 mm	334616								
1 1/2", l = 20 cm, outer Ø 55 mm, inner Ø 49 mm									

Type	Ref.	Weight	Description
Rigid 4-Bolt Cross Joint, 76 mm x 76 mm	341103		
2 1/2" x 2 1/2"			
Rigid 4-Bolt Cross Joint, 76 mm x 60 mm	341224		
2 1/2" x 2"			
Rigid 4-Bolt Cross Joint, 76 mm x 48 mm	341223		
2 1/2" x 1 1/2"			
Rigid 4-Bolt Cross Joint, 60 mm x 60 mm	341101		
2" x 2"			
Rigid 4-Bolt Cross Joint, 60 mm x 48 mm	341100		
2" x 1 1/2"			
Rigid 4-Bolt Cross Joint, 48 mm x 48 mm	341102		
1 1/2" x 1 1/2"			
① Cross Clamp long, 60 mm x 48 mm	334615		
2" x 1 1/2", 3 U-Bolts			
Angled Cross-Over Clamp, 48 mm x 60 mm	341110		
1 1/2" x 2"			
Angled Cross-Over Clamp, 48 mm x 48 mm	341120		
1 1/2" x 1 1/2"			
Angled Cross-Over Clamp, 42 mm x 48 mm	341113		
1 1/4" x 1 1/2"			
Angled Cross-Over Clamp, 34 mm x 48 mm	34111103		
1" x 1 1/2"			
Angled Cross-Over Clamp, 34 mm x 34 mm	341111		
1" x 1"			
Angled Cross-Over Clamp, 27 mm x 34 mm	341112		
3/4" x 1"			

② Anchor for slatted floor M12x235 mm, round	341070	
Stainless steel, incl. nut, washer, spring washer (Qty 4 per base plate)		
③ Anchor for slatted floor M12x235 mm	341201	
Stainless steel, incl. nut, washer, spring washer (Qty 4 per base plate)		
④ Countersunk washer for slat anchors	341197	
Outer diameter 60 mm (qty 25)		

• To mount posts with base plate to concrete slatted floor

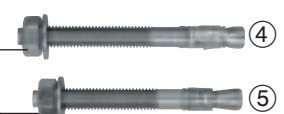


- Compensates for sharp edges of the nut - for maximum safety in the claw area of the animals
- Inside diam. M14

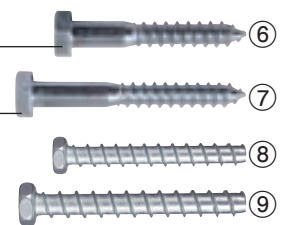
• Anchor for slatted floor with round head for more stability due to enlarged supporting surface

④ Anchor Bolt, 12 x 110 mm, stainless steel	341215	
④ Anchor Bolt, 12 x 110 mm, stainless steel	341255	
(qty 25)		
⑤ Anchor Bolt, 10 x 80 mm	341086	
⑤ Anchor Bolt, 10 x 80 mm	341087	
stainless steel (qty 25)		
⑥ Hexagonal Wood Screws	340080	
12x80, galvanised		
⑦ Hexagonal Wood Screws	340100	
12x100, galvanised		
⑧ Concrete Screw, 8 x 80 mm, stainless steel	341080	
⑨ Concrete Screw, 10 x 100 mm, stainless steel	341081	

To install the mounting brackets without using plugs to concrete components for highest loading tolerance: drill hole - drive in anchor - tighten nut



To install the mounting bracket to wooden components

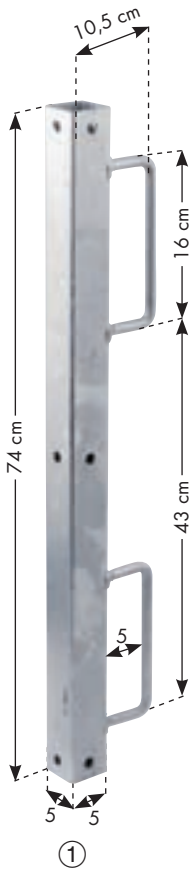


Description

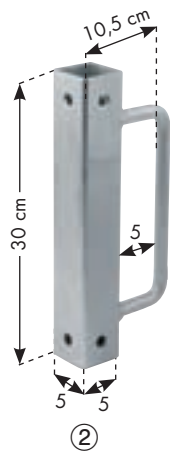
Type

Ref.

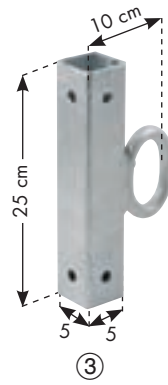
Weight



- Screw-mounted lock bracket for attachment to wood, brickwork, concrete
- Lock bracket: M10 mounting screws
- Hinge: M12 mounting screws

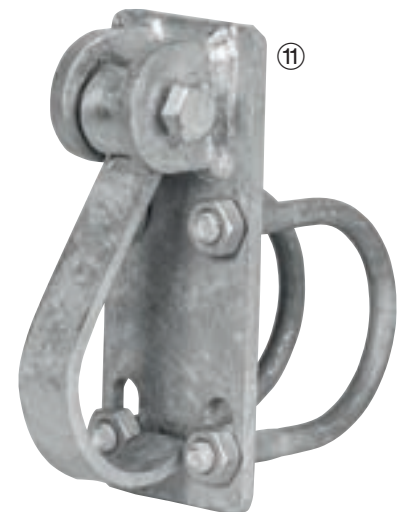
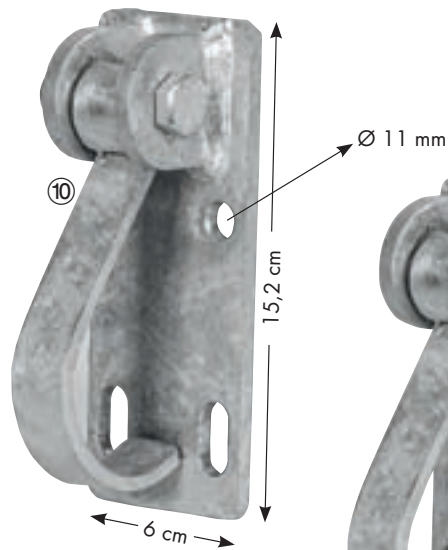
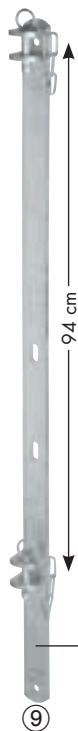


① Lock Bracket Double For gates R4, R5	303412	3.8 kg
② Lock Bracket Simple For gate R3	303411	1.7 kg
③ Lock Bracket Simple For light gates	303410	1.3 kg
④ Hinge for quick-lock RS	303398	1.2 kg
⑤ Hinge for quick-lock TS	303399	1.4 kg
⑥ Hinge for quick-lock RS transverse	303406	1.8 kg
⑦ Hinge for quick-lock TS transverse	303407	1.8 kg




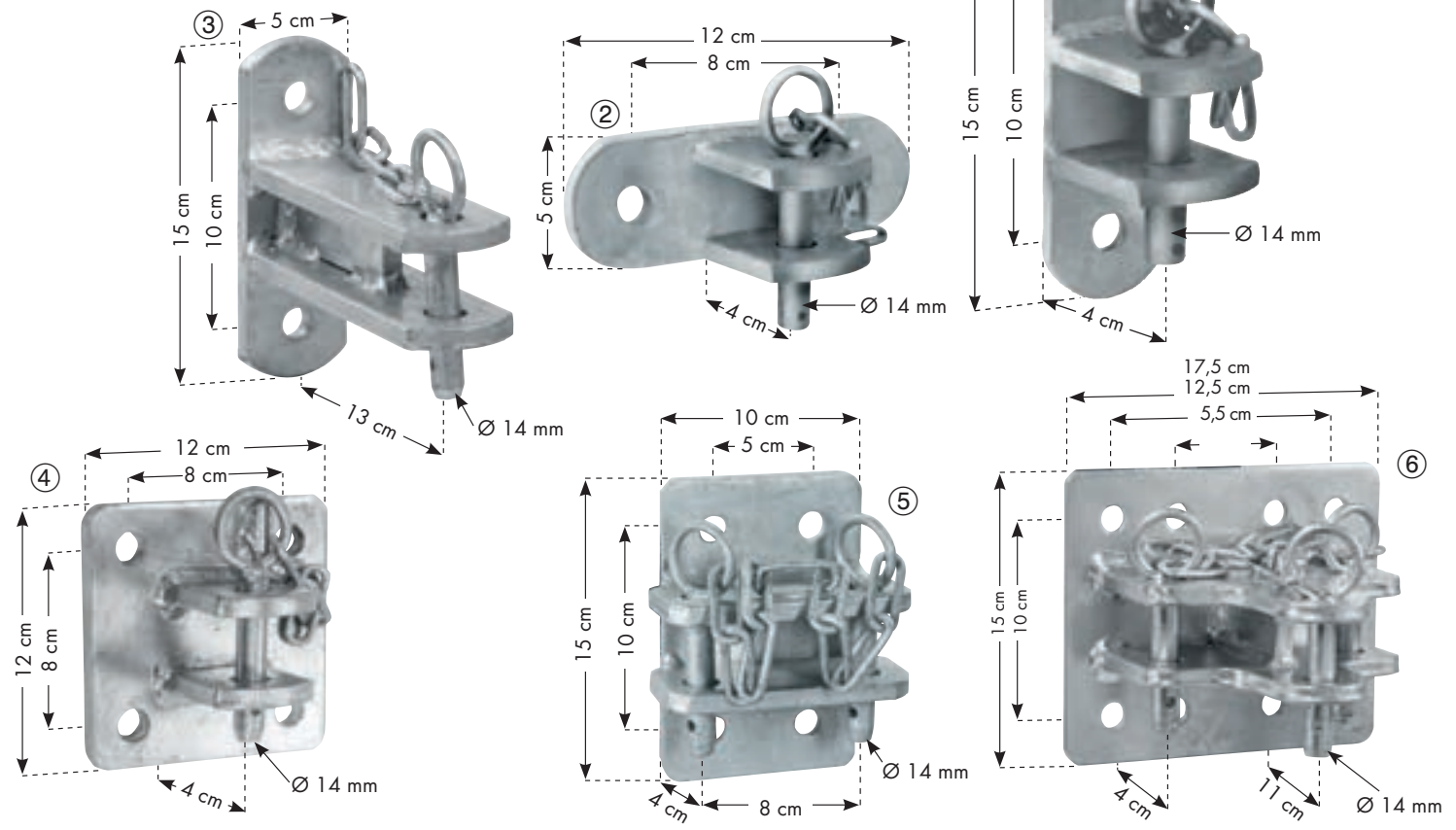
For hanging or attaching gates and dividers directly to other dividers

⑧ Mounting Set for dividers	303448	11.5 kg
⑨ Bolt-Down Rail, frame height 94 cm	303457	6.0 kg
⑩ Holding Bracket for gates to the wall	304141	
⑪ Holding Bracket for gates on tubing Ø 60 mm	304140	1.1 kg
U-bolts incl.		

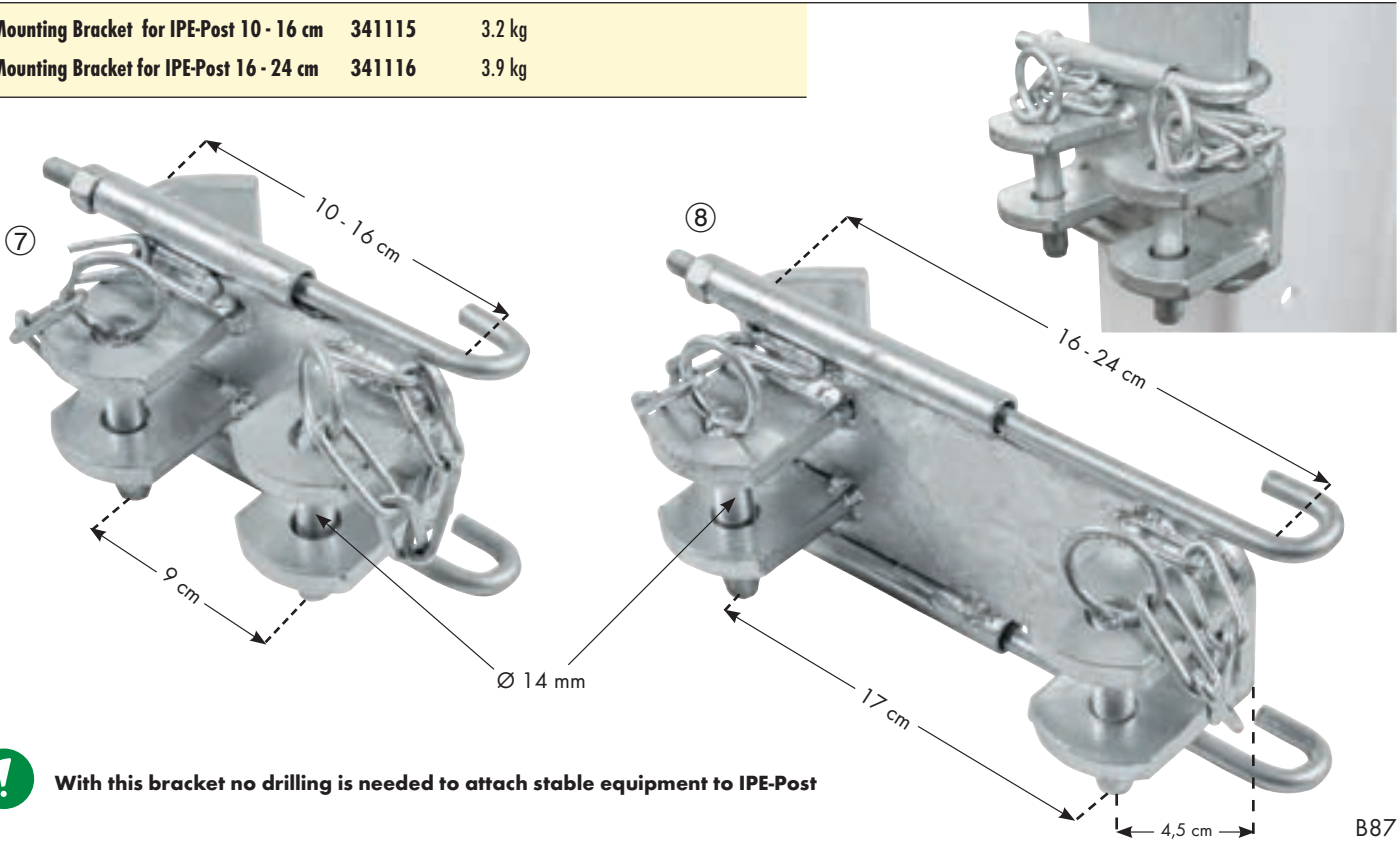


To mount gates and dividers with a frame height of 94 cm to brickwork, concrete or wood

Type	Ref.	Weight	Description
① Hinge, simple	303401		 <ul style="list-style-type: none"> • To mount gates, dividers and feed fronts to brickwork, concrete or wood • For M12 mounting screws
② Hinge, simple, horizontal	303405		
③ Hinge, extended	303404	2.0 kg	
④ Hinge, reinforced	303408	1.7 kg	
⑤ Hinge, double	303402	1.9 kg	
⑥ Hinge, triple	303400	3.7 kg	



⑦ Mounting Bracket for IPE-Post 10 - 16 cm	341115	3.2 kg
⑧ Mounting Bracket for IPE-Post 16 - 24 cm	341116	3.9 kg



With this bracket no drilling is needed to attach stable equipment to IPE-Post

Barn and Stable Equipment - Feed Fronts, Accessories



patu

patu

patu

patu

low
high
patu

low
high
patu

low
high
patu